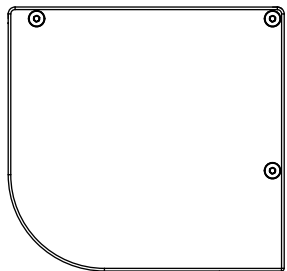
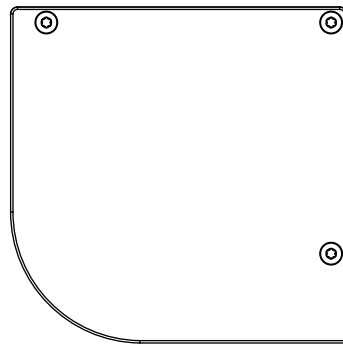


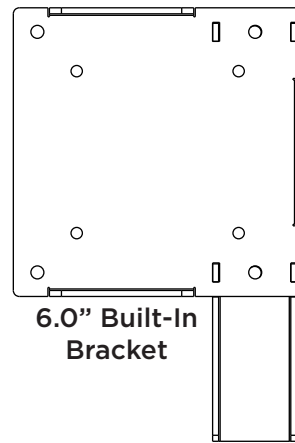
✓ INDICATES STANDARD CONFIGURATIONS.	HOODS & BRACKETS					COLORS				OPERATOR TYPE						SCREEN TYPE & MAX DIMENSION W"XH"			
	5.5" Hood	7.0" Hood	6.0" Bracket	7.5" Bracket	8.0" Big Leg Bracket	WH	MB	BG	BK	Fenetex Motor	Somfy Motor	Simu CMO Motor	Gaposa Motor	Gaposa High Speed	Gaposa Solar	Insect Screen	Shade Screen	Clear Screen	Hurricane Screen
HOODS & BRACKETS	5.5" Hood (w 4.0 reel)					✓	✓	✓	✓	✓	✓		✓	✓	✓	240"x150"	240"x150"	192"x150"	192"x120"
	7.0" Hood (w 4.0 reel)					✓	✓	✓	✓	✓	✓	✓	✓			240"x207"	240"x207"	192"x192"	192"x168"
	7.0" Hood (w 5.5 reel)					✓	✓	✓	✓	✓	✓	✓	✓			300"x207"	300"x207"	300"x150"	300"x126"
	6.0" Built-In Bracket (w 4.0 reel)									✓	✓		✓	✓	✓	240"x150"	240"x150"	192"x150"	NA
	7.5" Built-In Bracket (w 4.0 reel)									✓	✓		✓			240"x207"	240"x207"	192"x192"	NA
	7.5" Built-In Bracket (w 5.5 reel)									✓	✓		✓			300"x207"	300"x207"	300"x180"	NA
	8.0" Big Leg Bracket (w 4.0 reel)									✓	✓	✓	✓			NA	NA	NA	192"x240"
	8.0" Big Leg Bracket (w 5.5 reel)									✓	✓	✓	✓			NA	NA	NA	300"x216"
TRACKS & WEIGHT BARS	One-Track	✓	✓	✓	✓	✓	✓	✓	✓	✓	✓					✓	✓	✓	
	Hurricane Track	✓	✓			✓	✓	✓		✓	✓	✓							✓
	Built-In Channel	✓	✓	✓	✓	✓										✓	✓	✓	
	Standard Weight Bar	✓	✓	✓	✓	✓	✓	✓	✓							✓	✓		
	Heavy Weight Bar	✓	✓	✓	✓	✓	✓	✓	✓							SPECIAL ORDER	SPECIAL ORDER	✓	✓
	Cable Guided	✓		✓		✓	✓	✓	✓	✓	✓						204"x168"		



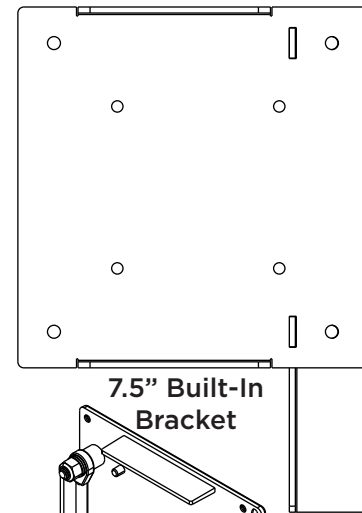
5.5" Hood



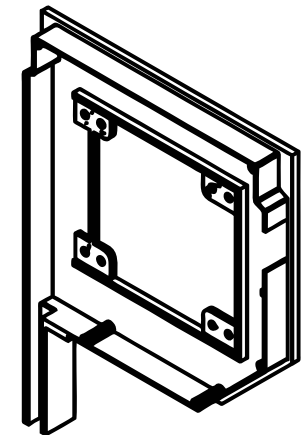
7.0" Hood



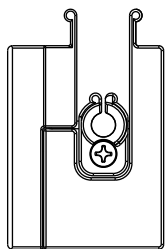
6.0" Built-In Bracket



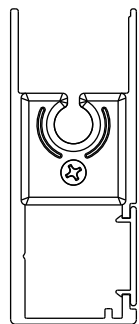
7.5" Built-In Bracket



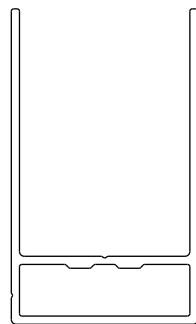
8.0" Big Leg Endcap



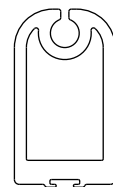
One-Track



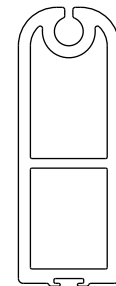
Hurricane Track



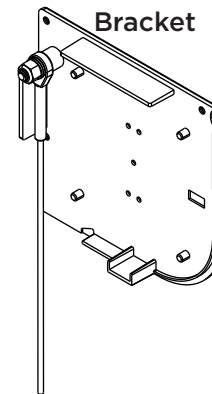
Built-In Channel



Standard Weight Bar



Heavy Weight Bar



Cable Guided



1(800) FENETEX www.fenetex.com

# ONE-TRACK WITH 5.5" HOOD

Please consult HOW TO MEASURE section on page 10 for details on measuring screens for production orders.

**Standard Colors: White, Bronze, Beige, Black**  
 Custom colors and wood grain finishes available for additional cost.

**Operators:**  
**Fenetex Smart Motor**

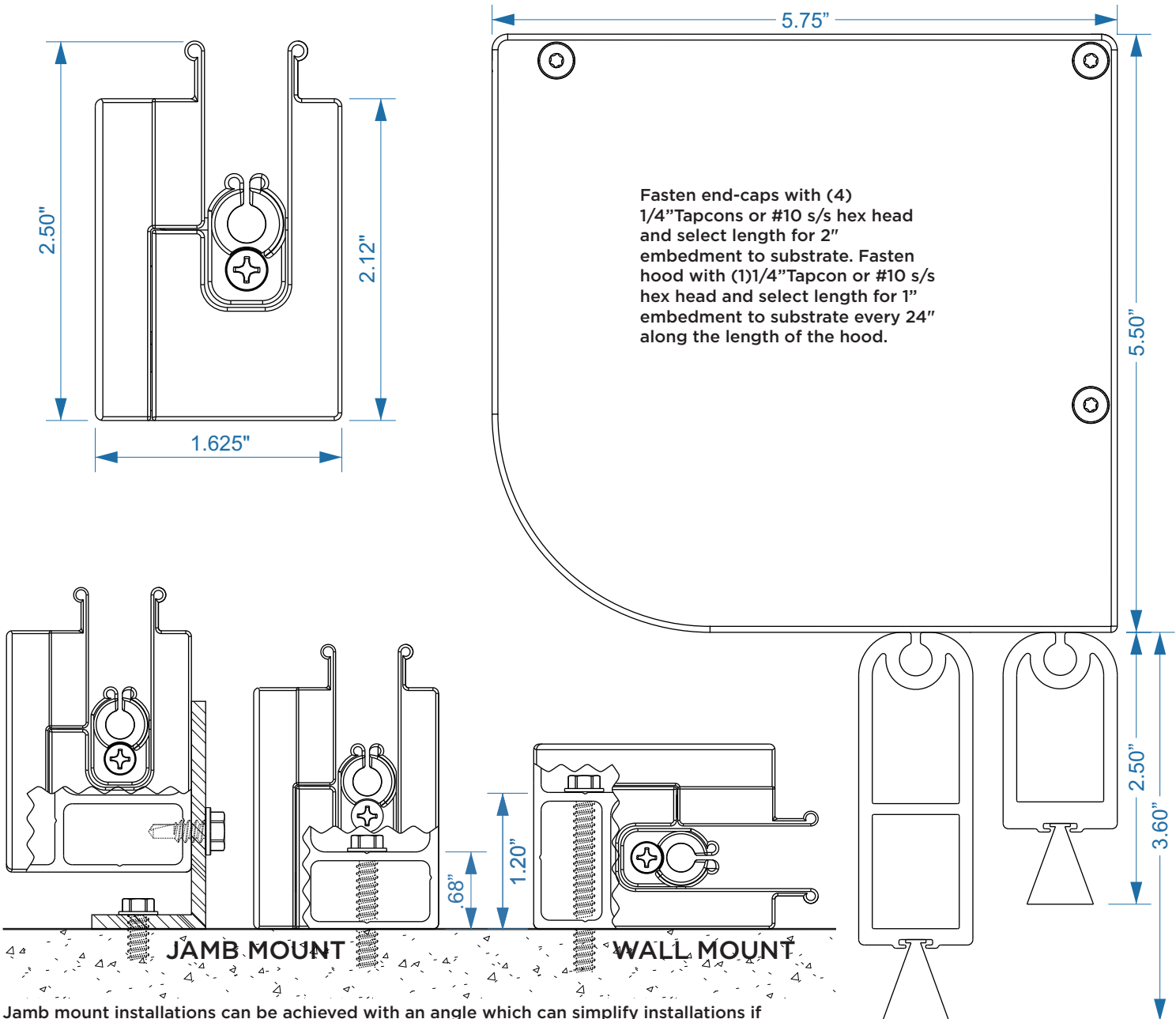
**Somfy** Select Somfy if integrating with a home automation system.

Electrical requirement for each motor is 2.0 amps 120V 60Hz.

## MIN/MAX SCREEN DIMENSIONS

	Insect	Shade	Clear Screen
Min Width	24"	24"	24"
Max Width	240"	240"	192"
Max Height	150" 150" W/O SEAM	150" 126" W/O SEAM	150" 65" W/O SEAM

NOTE: Insect and shade screens use the standard (shorter) weight bar. Clear vinyl screens use the heavy (taller) weight bar. You must special order a heavy weight bar for insect and shade screens - recommended for very narrow or very large screens in exposed or windy areas.



**JAMB MOUNT** **WALL MOUNT**

Jamb mount installations can be achieved with an angle which can simplify installations if columns are uneven or out of plumb. Fasten track to angle with #10x1/2" TEK screws or 3/16" aluminum rivets on 24" spacing. Fasten track to substrate with 1/4" Tapcon or #10 s/s hex head and select length for 2" embedment to substrate. 24" Spacing is typical, double fasteners where wind-speeds are likely to exceed 60MPH.



# ONE-TRACK WITH 7.0" HOOD

Please consult HOW TO MEASURE section on page 10 for details on measuring screens for production orders.

Standard Colors: White, Bronze, Beige

Operators:

**Fenetex Smart Motor**

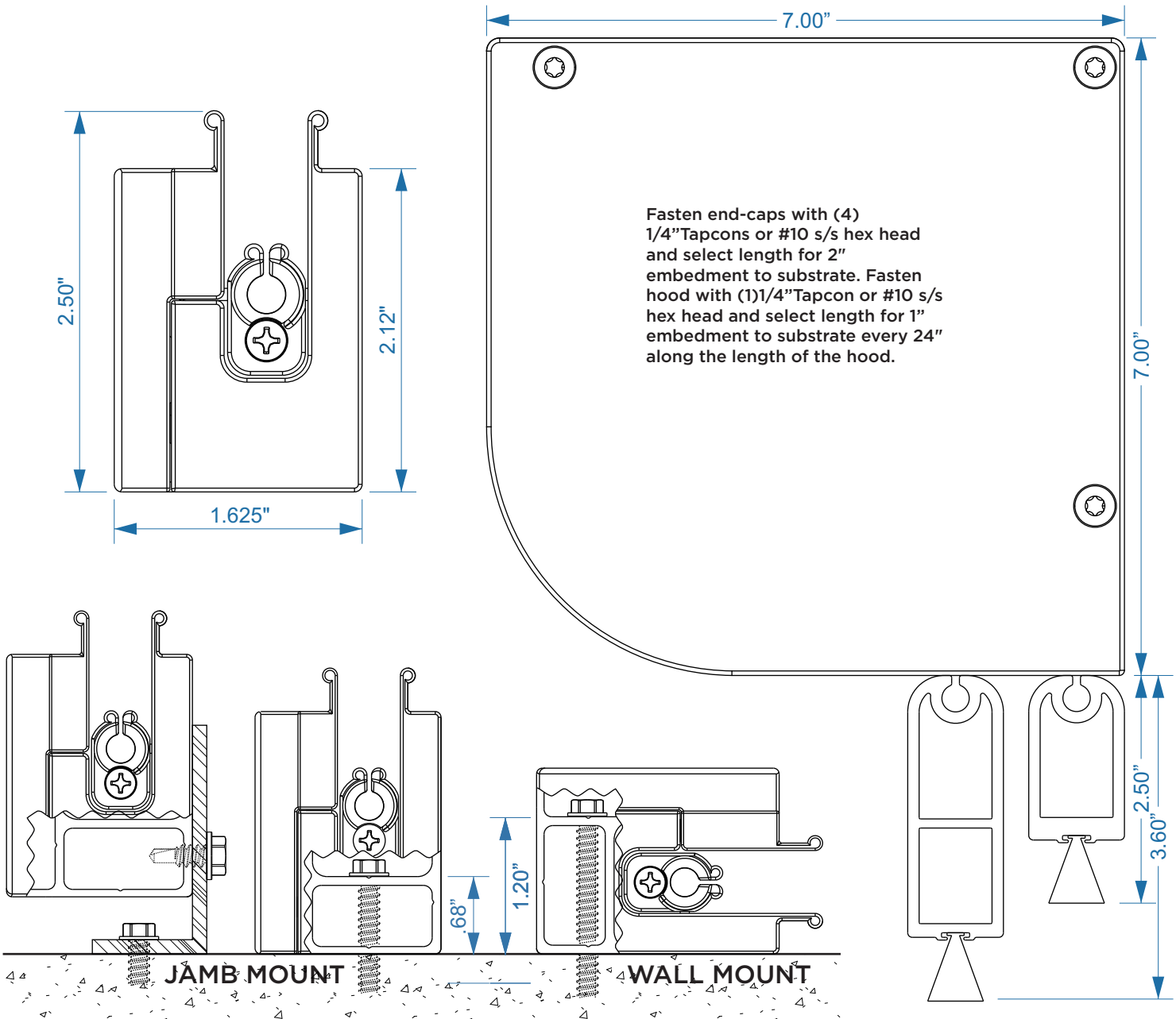
**Somfy** Select Somfy if integrating with a home automation system.

Electrical requirement for each motor is 2.0 amps 120V 60Hz.

## MIN/MAX SCREEN DIMENSIONS

	Insect	Shade	Clear Screen
Min Width	24"	24"	24"
Max Size w/4" Reel	240" Width 207" Height <small>150" W/O SEAM</small>	240" Width 207" Height <small>126" W/O SEAM</small>	192" Width 192" Height <small>65" W/O SEAM</small>
Max Size w/5.5" Reel	300" Width 207" Height <small>150" W/O SEAM</small>	300" Width 207" Height <small>126" W/O SEAM</small>	300" Width 180" Height <small>65" W/O SEAM</small>

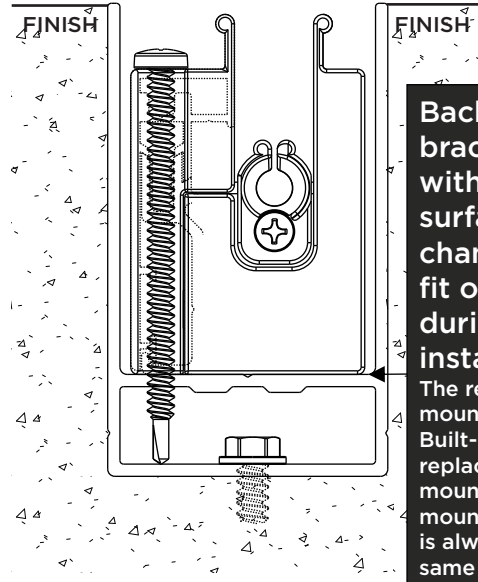
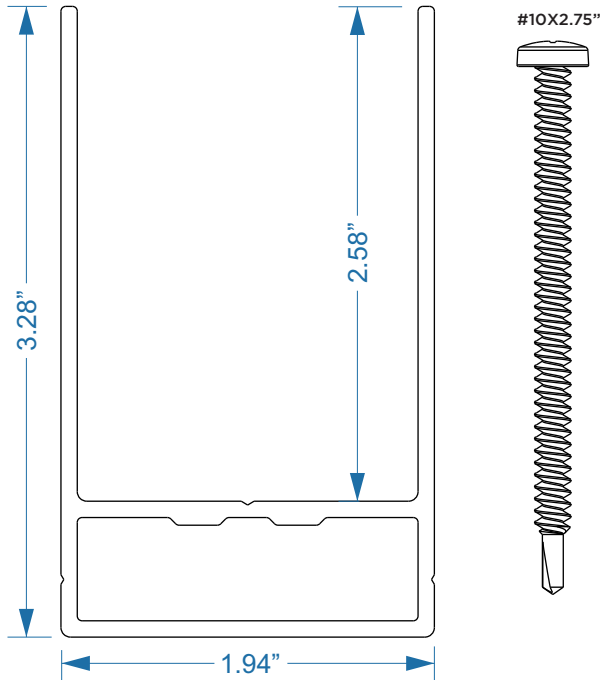
NOTE: Insect and shade screens use the standard (shorter) weight bar. Clear vinyl screens use the heavy (taller) weight bar. You must special order a heavy weight bar for insect and shade screens - recommended for very narrow or very large screens in exposed or windy areas.



Jamb mount installations can be achieved with an angle which can simplify installations if columns are uneven or out of plumb. Fasten track to angle with #10x1/2" TEK screws or 3/16" aluminum rivets on 24" spacing. Fasten track to substrate with 1/4" Tapcon or #10 s/s hex head and select length for 2" embedment to substrate. 24" Spacing is typical, double fasteners where wind-speeds are likely to exceed 60MPH.

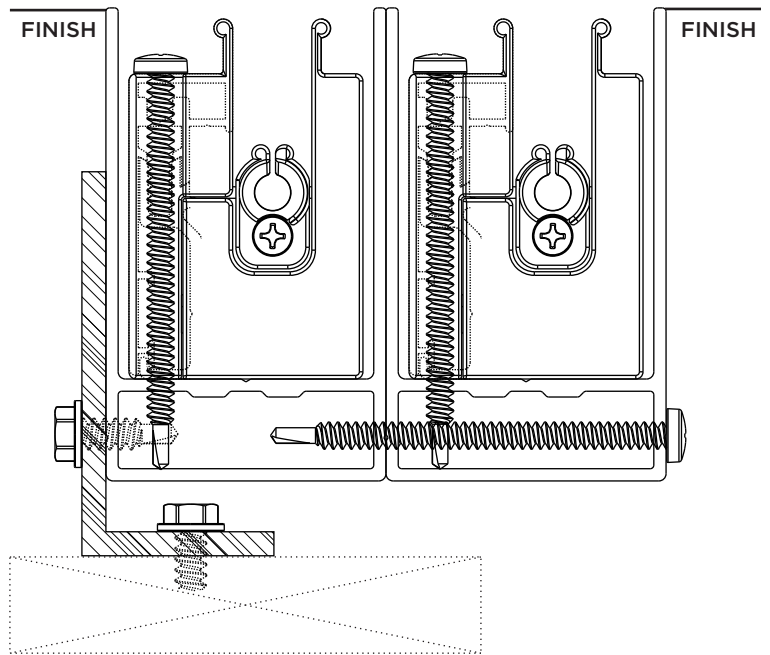
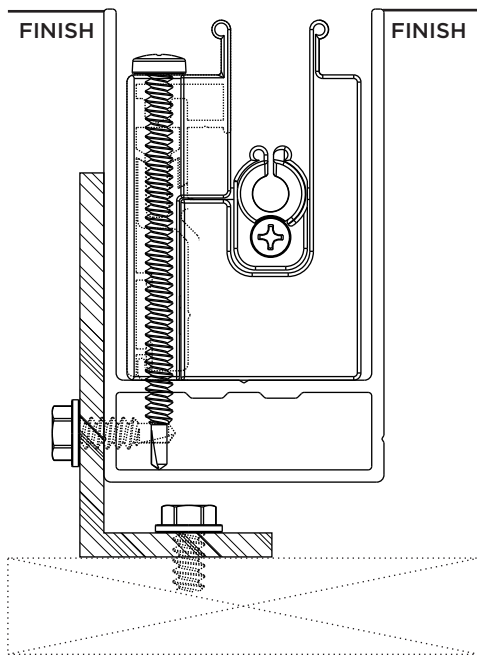
Please consult HOW TO MEASURE section on page 10 for details on measuring screens for production orders.

Standard Color: White



**Back of One-Track bracket must align with the mounting surface of Built-In channel for proper fit of the reel during screen installation.**

The reason is that the mounting surface of the Built-In channel is replacing a jamb style mount. In a jamb style mount the bracket or hood is always mounted on the same plane as the outside edge of the One-Track, see Installation Instructions for more details.



Shown are some common examples of how to use a Built-In Channel.

Please consult HOW TO MEASURE section on page 10 for details on measuring screens for production orders.

**Operators:**  
**Fenetex Smart Motor**

**Somfy** Select Somfy if integrating with a home automation system.

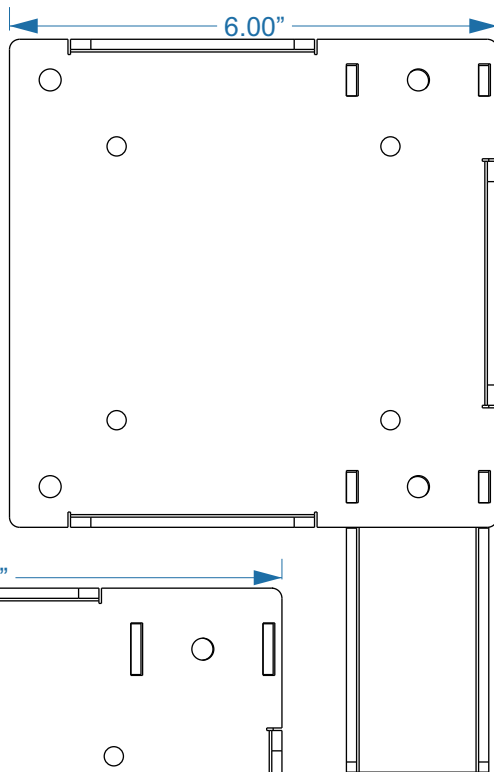
Electrical requirement for each motor is 2.0 amps 120V 60Hz.

NOTE: Insect and shade screens use the standard (shorter) weight bar. Clear vinyl screens use the heavy (taller) weight bar. You must special order a heavy weight bar for insect and shade screens - recommended for very narrow or very large screens in exposed or windy areas.

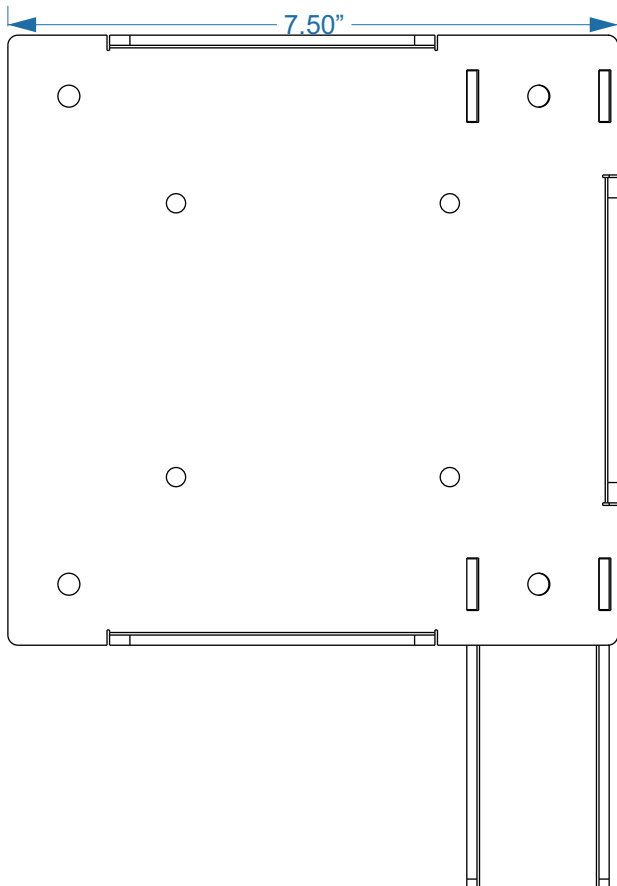
### MIN/MAX SCREEN DIMENSIONS

6.0" Bracket	Insect	Shade	Clear Screen
Min Width	24"	24"	24"
Max Width	240"	240"	192"
Max Height	150" <small>150" W/O SEAM</small>	150" <small>126" W/O SEAM</small>	150" <small>65" W/O SEAM</small>

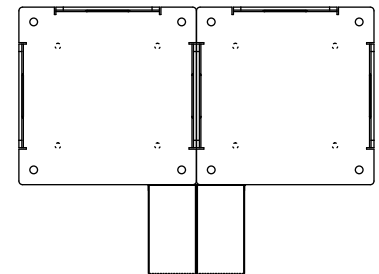
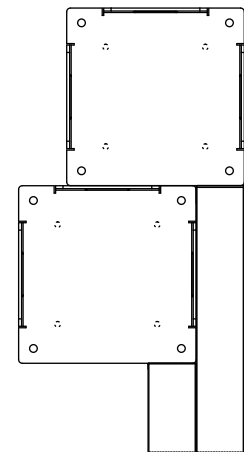
7.5" Bracket	Insect	Shade	Clear Screen
Min Width	24"	24"	24"
Max Size w/4" Reel	240" Width 207" Height <small>150" W/O SEAM</small>	240" Width 207" Height <small>126" W/O SEAM</small>	192" Width 180" Height <small>65" W/O SEAM</small>
Max Size w/5.5" Reel	300" Width 207" Height <small>150" W/O SEAM</small>	300" Width 207" Height <small>126" W/O SEAM</small>	300" Width 180" Height <small>65" W/O SEAM</small>



Fasten brackets with (4) 1/4" Tapcons or #10 s/s hex head and select length for 2" embedment to substrate.



Multiple brackets may be used for dual screen installations.



**Leg of One-Track bracket slides into Built-In channel for proper fit of the reel during screen installation.**  
 Once the channel is mounted, the bracket can be raised or lowered to establish level. Once level is achieved, fasten the bracket leg to channel and secure the remaining bracket to substrate fasteners. The leg can be removed if it is not needed.

# HURRICANE TRACK WITH 5.5" HOOD

See Page 9 for details on using Floor Brackets with hurricane screens.

## MIN/MAX SCREEN DIMENSIONS

Please consult HOW TO MEASURE section on page 10 for details on measuring screens for production orders.

Standard Colors: White, Bronze, Beige

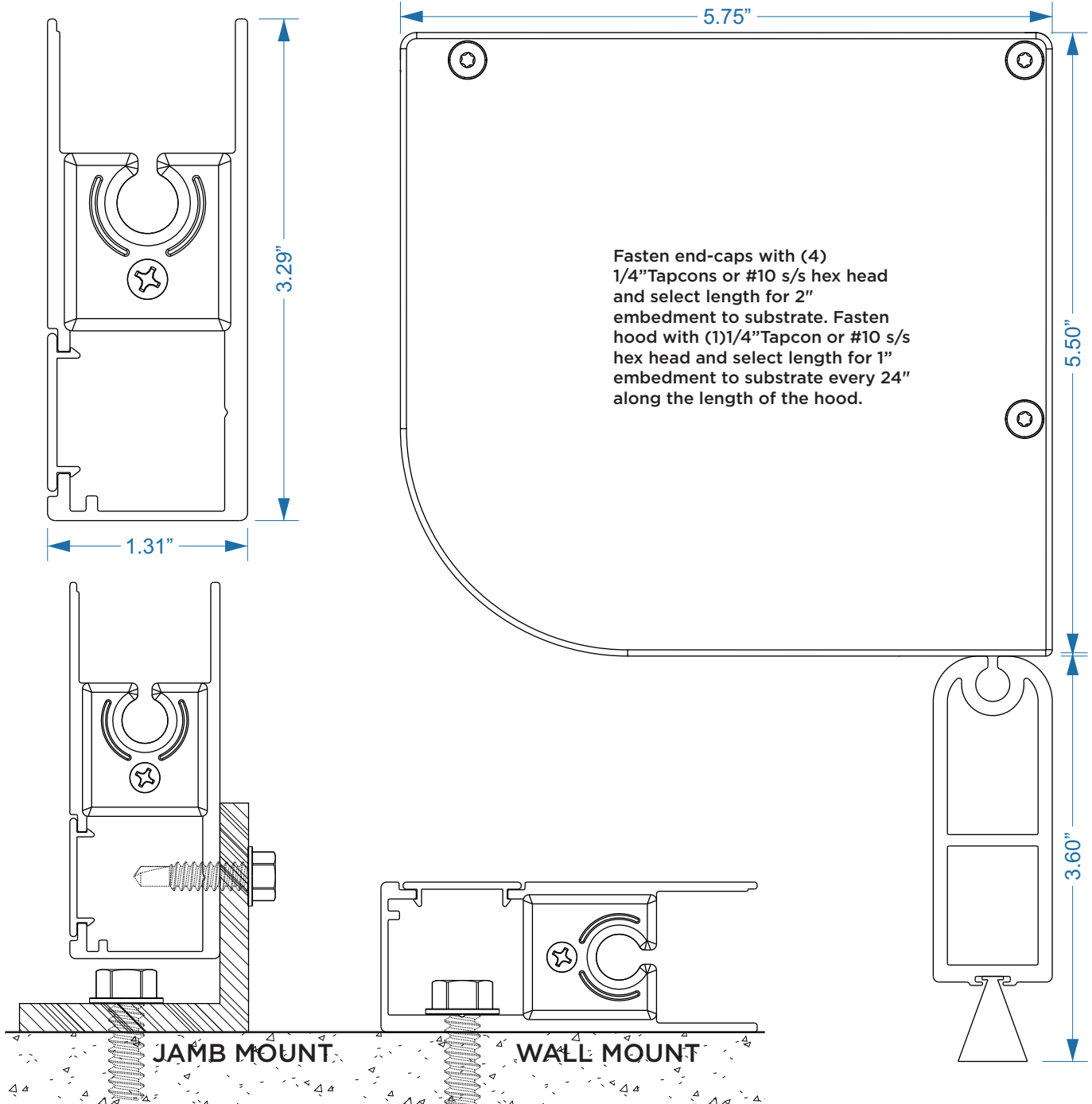
Operators:  
Fenetex Smart Motor

Somfy (select Somfy if integrating with a home automation system)

	Hurricane	Hurricane screens greater than 192" wide are possible and common but may require site specific engineering to meet Florida Building Code requirements for use as the primary hurricane protection. See Product Approval FL8637.
Min Width	24"	
Max Width	192"	
Max Height	120"	

NOTE: Hurricane screens use the heavy (taller) weight bar.

Electrical requirement for each motor is 2.0 amps 120V 60Hz.



Fasten end-caps with (4) 1/4" Tapcons or #10 s/s hex head and select length for 2" embedment to substrate. Fasten hood with (1) 1/4" Tapcon or #10 s/s hex head and select length for 1" embedment to substrate every 24" along the length of the hood.

JAMB MOUNT

WALL MOUNT

Jamb mount installations are achieved with an angle which will also simplify installations for columns that are uneven or out of plumb. See Florida Product Approval FL8637 R11 for fastening details and options.

# HURRICANE TRACK WITH 7.0" HOOD

See Page 9 for details on using Floor Brackets with hurricane screens.

Please consult HOW TO MEASURE section on page 10 for details on measuring screens for production orders.

Standard Colors: White, Bronze, Beige

Operators:  
Fenetex Smart Motor

Somfy (select Somfy if integrating with a home automation system)

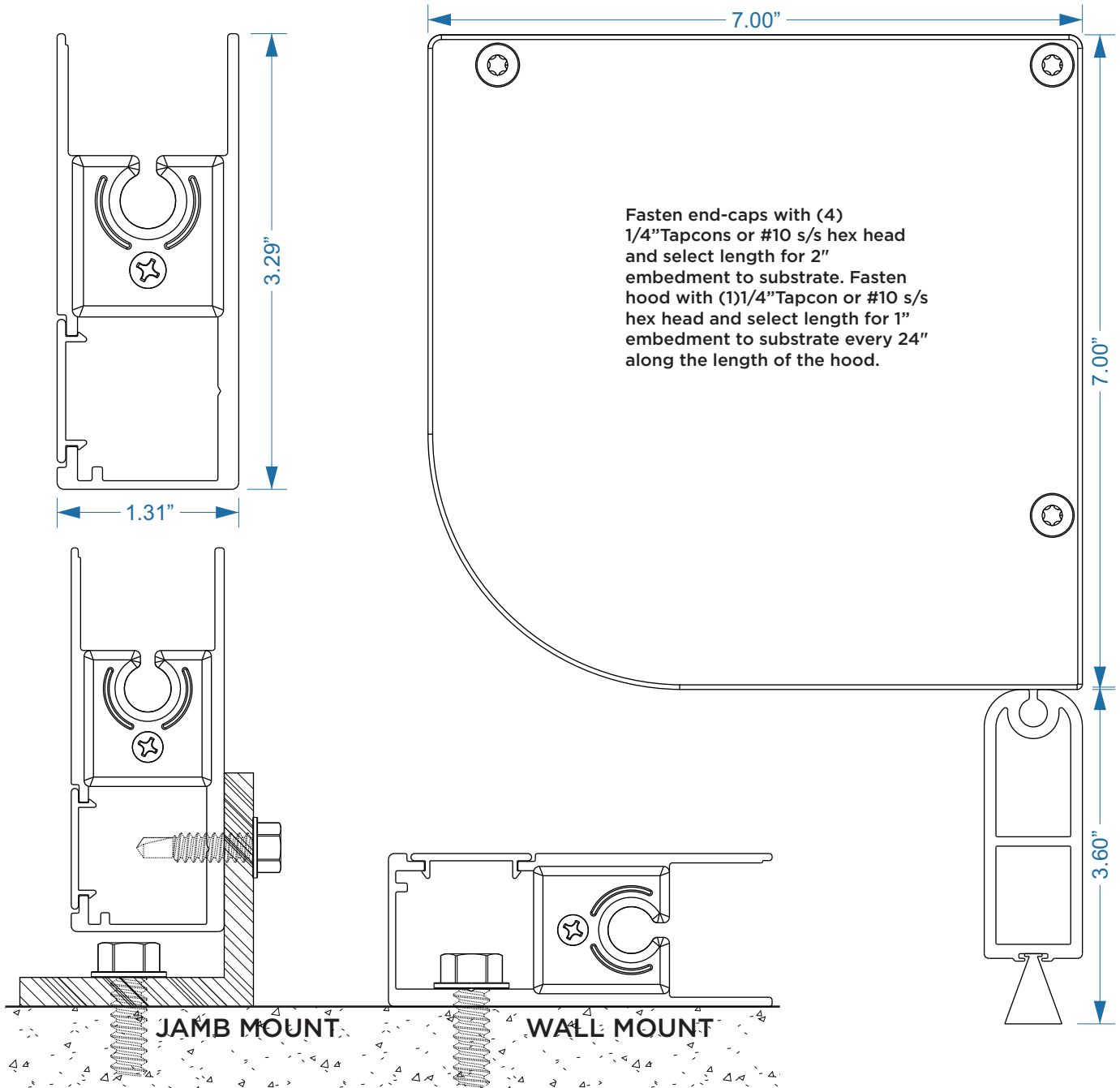
Simu CMO Manual operation of a CMO should only be considered when power is out and a drill with a 7mm hex drive is used to slowly raise or lower the screen. Installer must locate any access holes on site. A universal crank can be fitted to this hood but we don't offer them.

Electrical requirement for each motor is 2.0 amps 120V 60Hz.

## MIN/MAX SCREEN DIMENSIONS

	Hurricane	Hurricane screens greater than 192" wide are possible and common but may require site specific engineering to meet Florida Building Code requirements for use as the primary hurricane protection. See Product Approval FL8637.
Min Width	24"	
Max Size w/4" Reel	192" Width 168" Height 126" W/O SEAM	
Max Size w/5.5" Reel	300" Width 126" Height	

NOTE: Hurricane screens use the heavy (taller) weight bar.



Jamb mount installations are achieved with an angle which will also simplify installations for columns that are uneven or out of plumb. See Florida Product Approval FL8637 R11 for fastening details and options.



# BUILT-IN HURRICANE SCREENS

See Page 9 for details on using Floor Brackets with hurricane screens.

Please consult HOW TO MEASURE section on page 10 for details on measuring screens for production orders.

**Operators:**

**Fenetex Smart Motor**

**Somfy** (select Somfy if integrating with a home automation system)

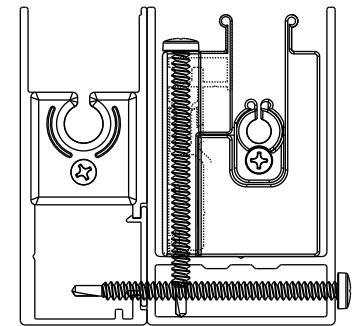
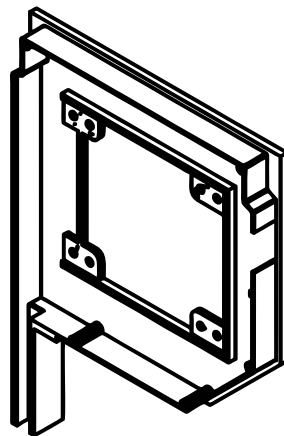
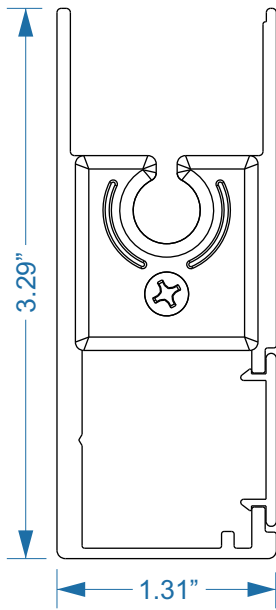
**Simu CMO** Manual operation of a CMO should only be considered when power is out and a drill with a 7mm hex drive is used to slowly raise or lower the screen. Installer must locate any access holes on site. A universal crank can be fitted to the 8' big leg bracket but we don't offer them.

Electrical requirement for each motor is 2.0 amps 120V 60Hz.

8.0" Big Leg Bracket	Hurricane
Min Width	24"
Max Size w/4" Reel	192" Width 240" Height <small>126" W/O SEAM</small>
Max Size w/5.5" Reel	300" Width* 216" Height <small>126" W/O SEAM</small>

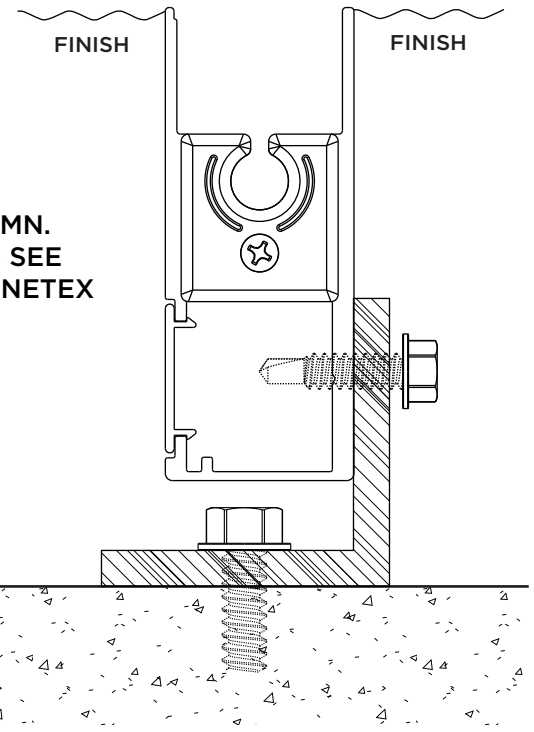
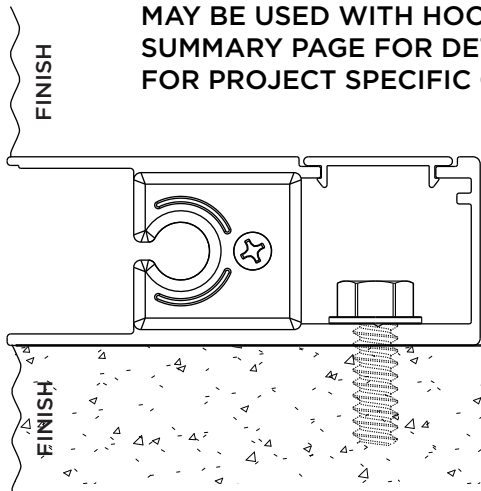
\* Hurricane screens greater than 192" wide are possible and common but may require site specific engineering to meet Florida Building Code requirements for use as the primary hurricane protection. See Product Approval FL8637.

**8"X8"  
Big Leg End Cap**

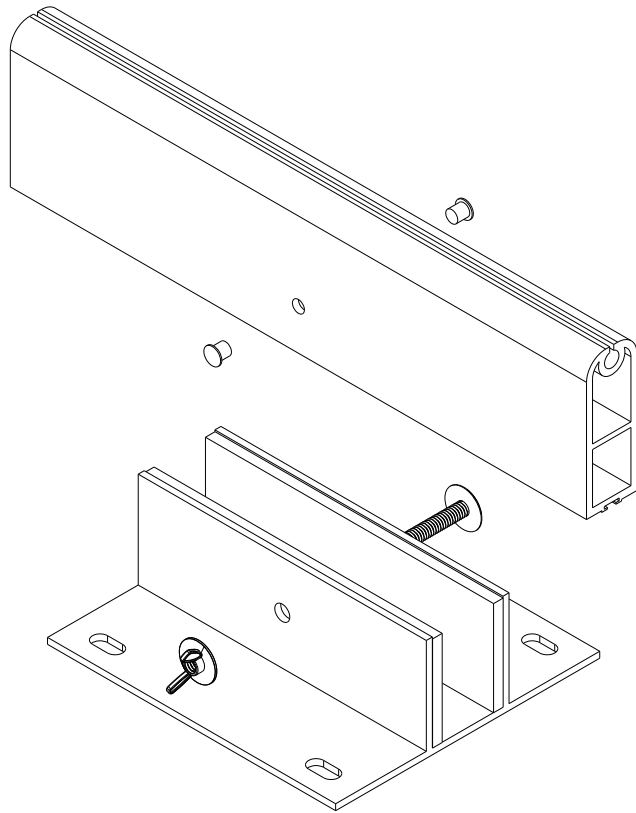


**Optional Dual Screen Configuration**

**GENERIC DRAWINGS FOR TYPICAL TRACK INSTALLATIONS WHERE TRACKS WILL BE SURFACE MOUNTED OR BUILT INTO A COLUMN. MAY BE USED WITH HOODS OR BRACKETS - SEE SUMMARY PAGE FOR DETAILS. CONTACT FENETEX FOR PROJECT SPECIFIC GUIDANCE.**







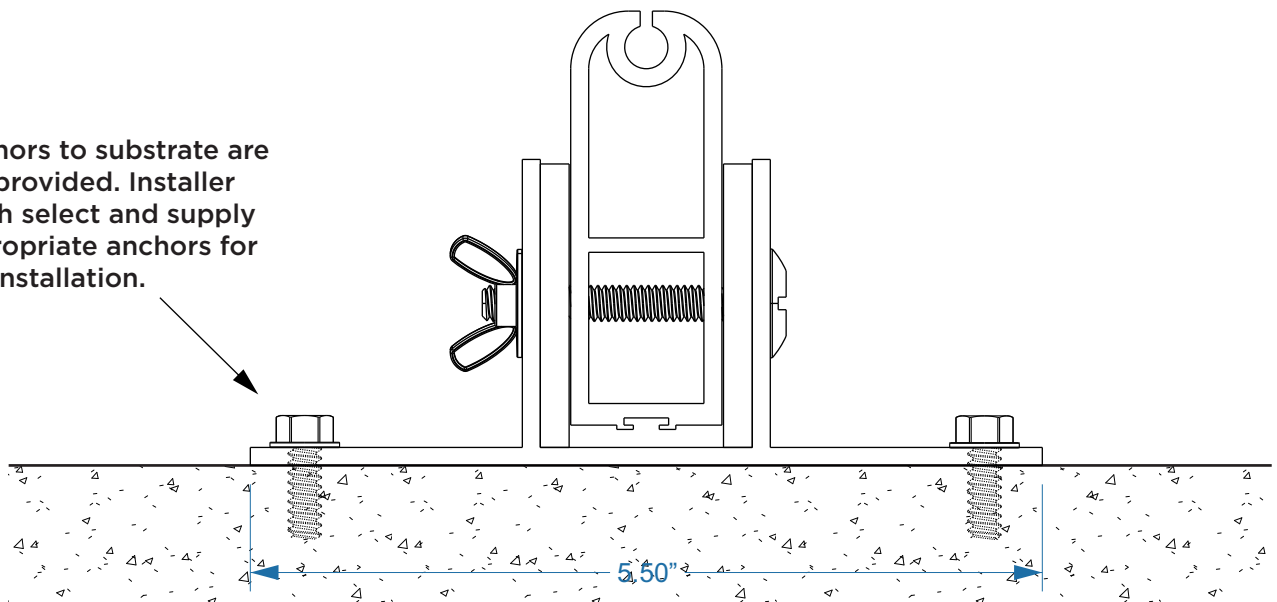
Hurricane Screen Width	Floor Brackets
Less Than 72"	1 No Through Bolt
72" - 96"	1 Through Bolt
96" - 192"	2 Through Bolt
More Than 192"	3 Through Bolt

Brackets with through bolts must be at least 40" from any screen edge to avoid hitting steel weights. When multiple floor brackets are used, evenly space brackets.

**NOTE:**

Floor Brackets are designed to help prevent excessive movement of the weight bar during storm events and should be used whenever screens will be subjected to high winds. Floor brackets are not required by the Florida Product Approval but they are recommended and will help minimize wind caused damage. Wind damage is not covered under the product's warranty, please see Warranty for full details.

Anchors to substrate are not provided. Installer must select and supply appropriate anchors for the installation.



## One-Track (jamb or face mount):

Order by overall system width, the dimension from outside of track to outside of track.



## One-Track, using a Built-In channel:

Order by overall system width, the dimension from mounting surface of channel to mounting surface of channel. DO NOT ORDER BY USING THE DIMENSION FROM OUTSIDE OF CHANNEL TO OUTSIDE OF CHANNEL.



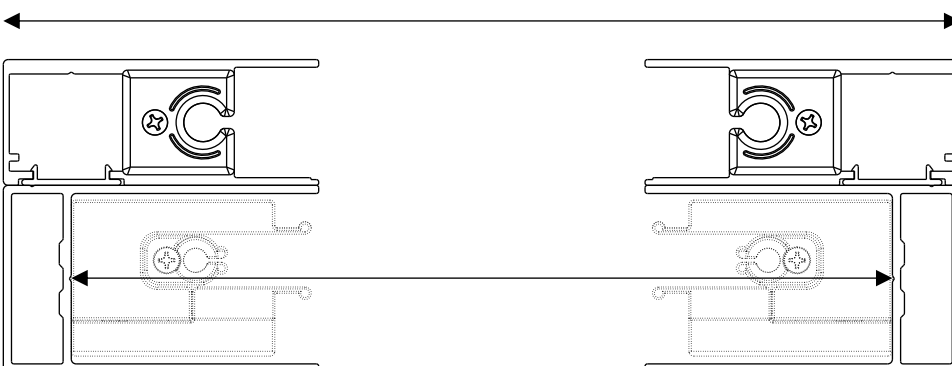
## Hurricane Track (jamb or face mount):

Order by overall system width, the dimension from outside of track to outside of track.

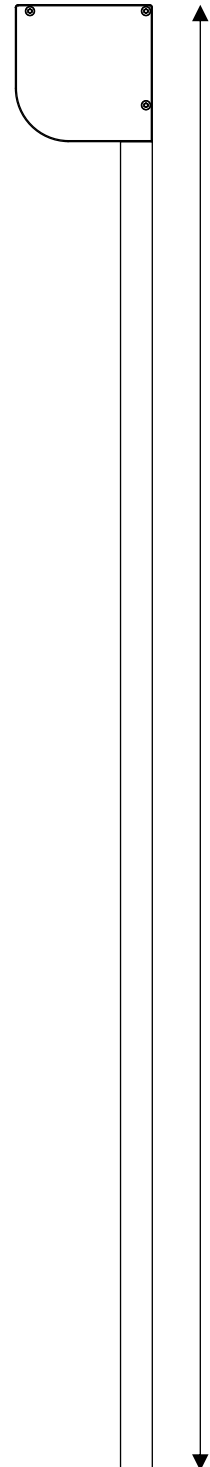


## Dual System using Hurricane Track and One-Track (with or without a Built-In channel):

Order EACH SYSTEM USING ITS OWN OVERALL WIDTH as indicated above and shown below.



**System Height:** This is always measured from the top of the hood or built-in bracket to the bottom of the track.



# CABLE GUIDED

**CABLE GUIDED** shade screens are ordered by the width of the hood and the overall system height including the hood.

**Standard Colors: White, Bronze, Beige, Black**  
 Custom colors and wood grain finishes available for additional cost.  
 Cable and hardware are stainless steel.

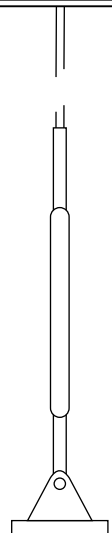
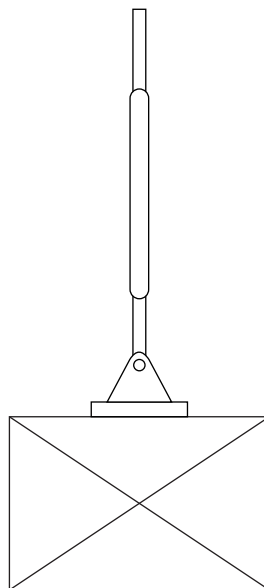
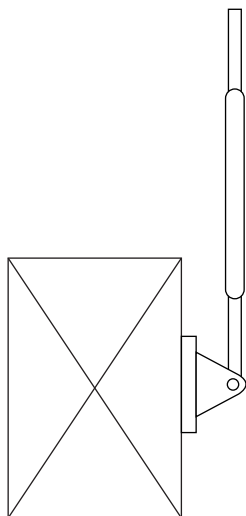
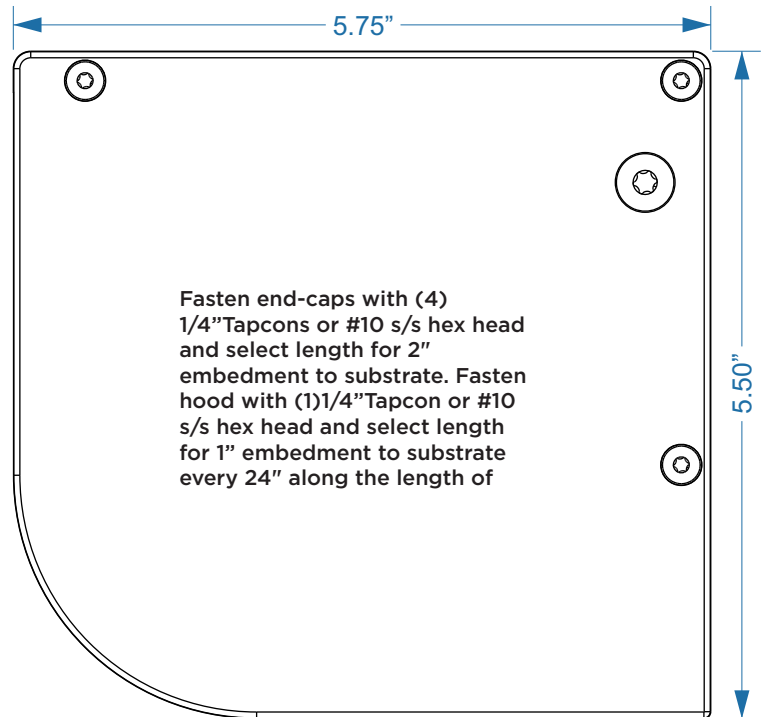
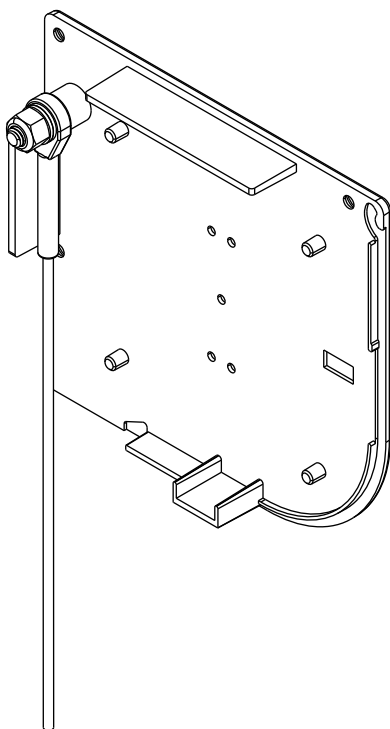
**Operators:**  
**Fenetex Smart Motor**  
**Somfy** Select Somfy if integrating with a home automation system.

Electrical requirement for each motor is 2.0 amps 120V 60Hz.

## RECOMMENDED MAX SYSTEM DIMENSIONS\*

		Shade	
Max Width		204"	
Max Height		168" 126" W/O SEAM	

\*Screens ordered outside the recommended max system dimensions require a waiver. The typical issue is wind damage. If you plan to use a shade screen in windy areas consider an end-retention screen like the One-Track on page 1, or using a wind sensor to retract the screen automatically when wind speeds increase over 20 MPH.



Shown are generic mounting options for the bottom connection. There are many options depending on the installation. Fenetex supplies a 15' cable assembly, and components. Installer must trim and crimp the cable as required. Please contact Fenetex if you have any questions.