

FENETEX HURRICANE SCREENS
IMPACT RESISTANT WIND ABATEMENT SYSTEM

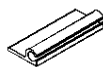
PRODUCT APPROVAL NO.

FL 8637 R9

FOR USE OUTSIDE HVHZ AND INSIDE HVHZ PER LIMITATIONS OF USE DESCRIBED IN GENERAL NOTES #6



CONNECTION TYPE A: CLIP & ROD
 +/-76 PSF MAX SPAN 170"



CONNECTION TYPE B: C-TRACK
 +/-66.1 PSF MAX SPAN 102"



CONNECTION TYPE C: GROMMET
 +/-66.1 PSF MAX SPAN 102"



CONNECTION TYPE D: SCREW CLIP
 +/-76 PSF MAX SPAN 120"



CONNECTION TYPE E: WEBBING ASSEMBLY
 +/-76 PSF MAX SPAN 192"



END RETENTION SCREENS
 +/-76 PSF MAX SPAN 192"

TABLE OF CONTENTS:

PRODUCT DESCRIPTION

- PAGE 1 GENERAL NOTES
- PAGE 2 DIRECT MOUNT SCREEN CONNECTIONS
- PAGE 3 WEBBING ASSEMBLY CONNECTIONS
- PAGE 4 SCREEN TO SCREEN CONNECTIONS
- PAGE 5 TRACK TYPES
- PAGE 6 END RETENTION SCREENS

ANCHOR SCHEDULES

- PAGE 7 CONNECTION TYPE A OUTSIDE MOUNT
- PAGE 8 CONNECTION TYPE A INSIDE MOUNT
- PAGE 9 CONNECTION TYPE B
- PAGE 10 CONNECTION TYPE C
- PAGE 11 CONNECTION TYPE D
- PAGE 12 CONNECTION TYPE E & END RETENTION SCREENS

GENERAL NOTES:

1. THE SYSTEM DESCRIBED HEREIN HAS BEEN DESIGNED AND TESTED AS A LARGE AND SMALL MISSILE IMPACT PROTECTIVE SYSTEM IN ACCORDANCE WITH THE CURRENT FLORIDA BUILDING CODE FOR STATEWIDE USE INSIDE & OUTSIDE THE HIGH VELOCITY HURRICANE ZONE (HVHZ). PER TAS 201-94, TAS 202-94, TAS 203-94, ASTM E1886-05, E1996-09 AND ASTM E330-02 TEST STANDARDS.
2. THE SYSTEM DESCRIBED HEREIN IS DESIGNED FOR USE AS A PROTECTED OPENING IMPACT SCREEN DURING PERIODS OF HIGH WINDS. UNLESS PERMANENTLY INSTALLED, THE SCREEN IS TEMPORARY AND REMOVABLE AND NOT INTENDED TO BE A PERMANENT PART OF THE STRUCTURE.
3. THIS SYSTEM DESCRIBED HEREIN MAY BE USED AS A NON-POROUS SHUTTER SYSTEM. NO MINIMUM SEPARATION FROM THE PROTECTED GLAZING IS REQUIRED OUTSIDE THE HVHZ.
4. THE SYSTEM DESCRIBED HEREIN IS GENERIC AND DOES NOT PROVIDE INFORMATION FOR A SPECIFIC SITE. A LICENSED ENGINEER OR REGISTERED ARCHITECT SHALL PREPARE SITE SPECIFIC DOCUMENTS FOR USE WITH THIS DOCUMENT AS REQUIRED FOR INSTALLATIONS OUTSIDE THE SCOPE OF THE SYSTEM HEREIN.
5. PERMIT HOLDER SHALL VERIFY THE ADEQUACY OF THE EXISTING STRUCTURE TO WITHSTAND SUPERIMPOSED LOADS. SITE SPECIFIC ENGINEERING MAY BE REQUIRED TO DETERMINE COMPATIBILITY WITH HOST STRUCTURE.
6. INSIDE THE HVHZ PERMANENT SCREENS SHALL ONLY BE MOUNTED INSIDE THE OPENING. REMOVABLE SCREENS SHALL ONLY BE DEPLOYED DURING PERIODS OF HIGH WINDS. WHEN SCREEN IS NOT BEING USED FOR ITS INTENDED PURPOSE SCREENS SHALL BE REMOVED AND STORED. INSIDE THE HVHZ SCREENS SHALL HAVE 32" OF MINIMUM SEPARATION FROM GLAZING.
7. THE SCREEN DESCRIBED HEREIN SHALL BE PERMANENTLY LABELED WITH A MINIMUM OF ONE LABEL PER SCREEN. LABEL INFORMATION SHALL CONTAIN THE MANUFACTURER'S NAME, INFORMATION DESCRIBING THE PRODUCT, INFORMATION DESCRIBING LIMITATIONS OF USE, AND THE FLORIDA PRODUCT APPROVAL NUMBER.

FABRICS:

DETAIL SPECIFICATIONS IN PRODUCT EVALUATION REPORT
 FABRIC #1 POLYMESH
 FABRIC #2 PVC LAMINATE
 FABRIC #3 PVC MESH

INSTALLATION NOTES:

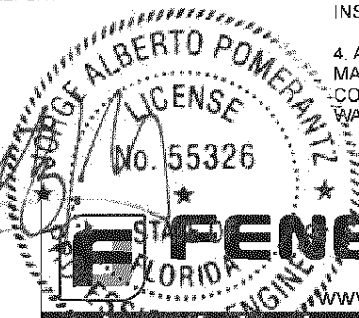
1. PROTECTIVE SCREENS SHALL BE INSTALLED IN A MANNER TO COMPLETELY COVER THE ENTIRE OPENING IN ALL DIRECTIONS. ON ANY SIDE OF AN OPENING, THE MAXIMUM SIDE CLEARANCE BETWEEN THE SCREEN AND A WALL OR INSET SURFACE SHALL BE 1/4". ANY DISTANCE IN EXCESS OF 1/4" SHALL REQUIRE END CLOSURE OR SCREEN OVERLAP OF A MINIMUM OF 1.5 TIMES THE SIDE CLEARANCE BETWEEN THE SCREEN AND WALL.
2. MULTIPLE UNITS MAY BE INSTALLED TO UNLIMITED NON-SPAN WIDTHS.
3. SCREENS MAY BE MOUNTED VERTICALLY, HORIZONTALLY OR AT ANY ANGLE.
4. BUILD-OUTS, BLOCKING, STORM BARS AND TENTING OF SCREENS MAY BE USED TO INCREASE SEPARATION IF REQUIRED.
5. MULTIPLE CONNECTION TYPES AND TRACK TYPES MAY BE USED FOR ANY OPENING. THE ANCHOR SPACING MUST SOLVE FOR THE WEAKEST CONDITION PRESENT IN THE COMBINATION.
5. SCREEN SYSTEMS BEAR LOADS ON TWO OPPOSING SIDES. THIS IS THE SPAN DIRECTION. THE NON-SPAN DIRECTION MAY HAVE ADDITIONAL OPTIONAL ATTACHMENT POINTS, OPTIONAL ATTACHMENT POINTS ARE NOT INCLUDED IN ANCHOR CALCULATIONS.
7. SPAN IS MEASURED ANCHOR TO ANCHOR.
8. NON-SPAN EDGES DO NOT REQUIRE SEWN HEMS OR ADDITIONAL REINFORCEMENT. IF UNFINISHED, FABRIC #1 EDGES SHALL BE HEAT SEALED, FABRIC #2 MAY BE UNFINISHED.

ANCHOR NOTES:

1. MINIMUM EDGE DISTANCE AND EMBEDMENT EXCLUDES ALL WALL FINISHES INCLUDING BUT NOT LIMITED TO STUCCO, FOAM, BRICK VENEER, AND SIDING.
2. WHERE STRUCTURE IS WOOD FRAMING, EXISTING CONDITIONS MAY VARY. FIELD VERIFY THAT ANCHORS ARE PLACED INTO WOOD FRAMING AND NOT PLYWOOD AND THAT WOOD FRAMING IS NOT DETERIORATED.
3. THE ANCHOR SCHEDULE REFERENCES THE INDICATED MANUFACTURER'S INSTALLATION INSTRUCTIONS AND TEST RESULTS. INSTALL ALL ANCHORS PER MANUFACTURER'S DIRECTIONS.
4. ANCHOR CONNECTIONS SHALL BE MADE WITH CORRESPONDING MACHINE SCREWS HAVING A MINIMUM TENSILE STRESS OF 45,000 PSI. CONNECTIONS MAY USE WASHER WING NUTS OR BOLTS WITH WASHERS OF MIN. HEAD DIA. TWICE THE DIA. OF OPENING.

JORGE A. POMERANTZ, P.E.
 FLORIDA LICENSE# 55326
 ING CONSULTANTS, INC.
 8865 W SUNRISE BLVD
 PLANTATION FL 33322
 CERT. AUTH. #27242
 T: 954.394.8521 F: 954.583.5197
 ingconsultants@yahoo.com

J. Pomerantz



June 14, 2017

Installation Instructions

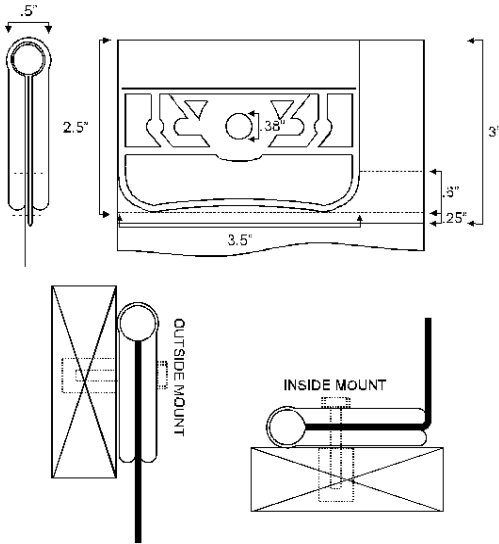
FENETEX, INC.
 278 Talleyrand Ave
 Jacksonville, FL 32202
 Tel: (800) FENETEX

DRAWINGS BY FENETEX, INC.
 COPYRIGHT 2017 FENETEX, INC.
 DRAWING NO: 8-17
 NOT TO SCALE
1 of 12

DIRECT MOUNT SCREEN CONNECTIONS

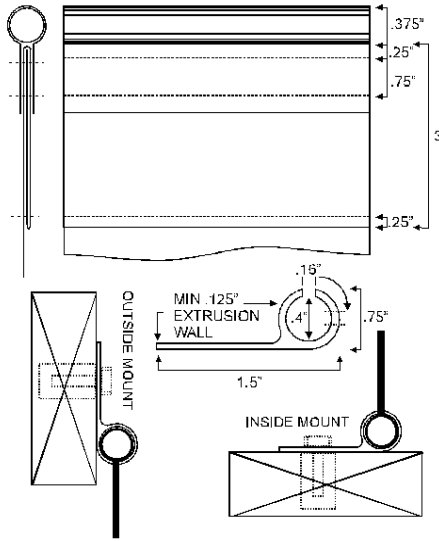
TYPE A CONNECTION CLIP & ROD

DOUBLE FOLD EDGE 3" HEM WITH FABRIC #1 WITH STITCHING AT 5 STITCHES PER INCH AS INDICATED. FRP ROD INSERTED IN HEM. FIRST CLIP NOT MORE THAN 7" FROM PANEL EDGE.



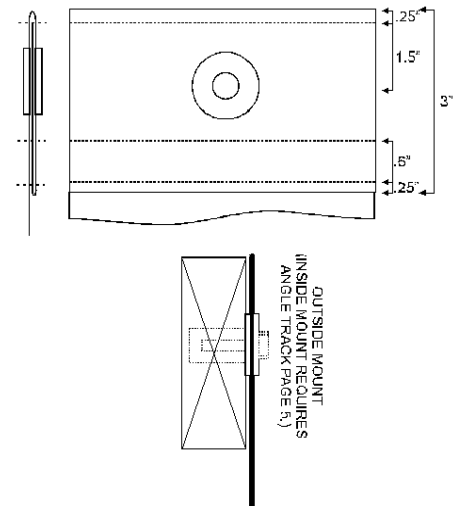
TYPE B CONNECTION C-TRACK

DOUBLE FOLD EDGE 3" HEM WITH FABRIC #1 WITH STITCHING AT 5 STITCHES PER INCH AS INDICATED. NO HEM WITH 1" WELDED SEAM FOR FABRICS #2 OR #3. HEM CORD CAN BE FRP ROD OR SOLID PVC. HEM CORD SLIDES INTO C-TRACK.



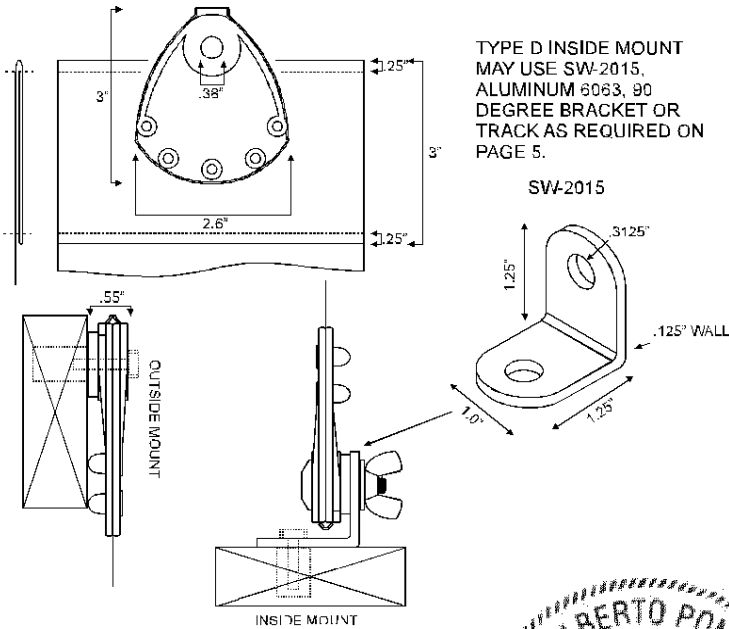
TYPE C CONNECTION GROMMET

DOUBLE FOLD EDGE 3" HEM WITH FABRIC #1 WITH STITCHING AT 5 STITCHES PER INCH, #2 SPUR GROMMET FOR ANCHOR CONNECTIONS AS INDICATED. FIRST GROMMET NOT MORE THAN 3" FROM PANEL EDGE.



TYPE D CONNECTION SCREW CLIP

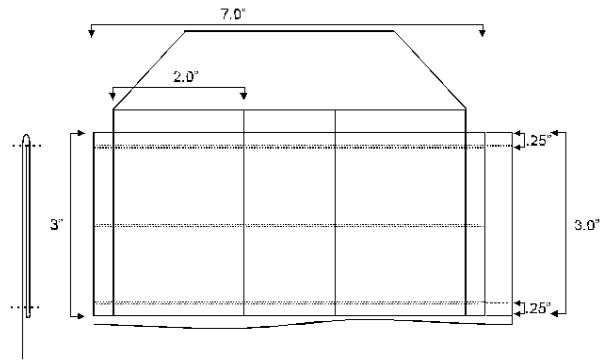
DOUBLE FOLD EDGE 3" HEM WITH FABRIC #1 WITH STITCHING AT 5 STITCHES PER INCH AS INDICATED. NO HEM WITH FABRICS #2 OR #3. CLIP IS SECURED TO SCREEN WITH (5) #8X1/2" SCREWS. FIRST CLIP NOT MORE THAN 3" FROM PANEL EDGE.



TYPE E CONNECTION WEBBING ASSEMBLY

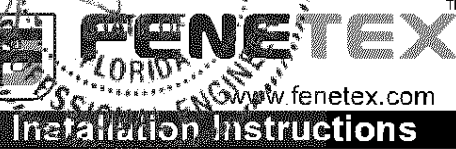
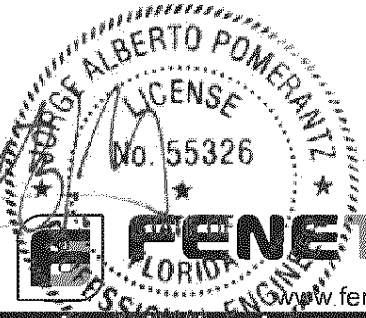
DOUBLE FOLD EDGE 3" HEM WITH FABRIC #1 WITH LOCK STITCHING AT 5 STITCHES PER INCH AS INDICATED. STRAP BASE - 7"X3" SYNTHETIC WEBBING. BASE AND 2" STRUCTURAL WEBBING ATTACHED WITH TACK STITCHES. ASSEMBLY ATTACHED TO SCREEN WITH THREE ROWS OF DOUBLE STITCHING AT 5 STITCHES PER INCH. FIRST ASSEMBLY NOT MORE THAN 7" FROM PANEL EDGE.

NOTE: TYPE E CONNECTION OPTIONS ON PAGE 3



JORGE A. POMERANTZ, P.E.
 FLORIDA LICENSE# 55326
 ING CONSULTANTS, INC.
 8865 W SUNRISE BLVD
 PLANTATION FL 33322
 CERT. AUTH. #27242
 T: 954.394.8521 F: 954.583.5197
 ingconsultants@yahoo.com

June 14, 2017

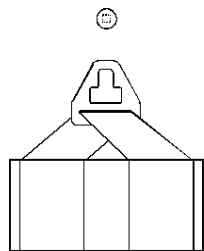


FENETEX, INC.
 278 Talleyrand Ave
 Jacksonville, FL 32202
 Tel: (800) FENETEX

DRAWINGS BY FENETEX, INC.
 COPYRIGHT 2017 FENETEX, INC.
 DRAWING NO: 8-17
 NOT TO SCALE **2** of 12

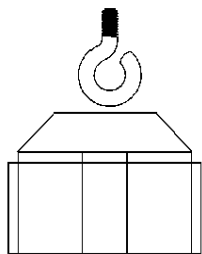
WEBBING ASSEMBLY CONNECTION TYPES

TYPE E OPTIONAL CONFIGURATIONS



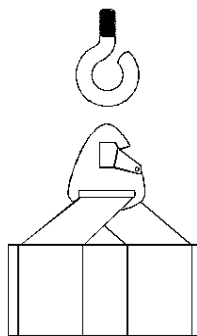
KEYHOLE CLIP

RAPID DEPLOYMENT AND REMOVAL OF HURRICANE BARRIER WITHOUT ADDITIONAL HARDWARE.



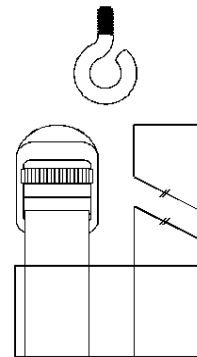
LOOP

LOOP AND EYE-BOLT CONFIGURATION FOR USE WITH CONCEALED ANCHORS.



SNAP LOCK

RAPID DEPLOYMENT AND REMOVAL OF HURRICANE BARRIER FOR USE WITH PERMANENT EYE-BOLTS.

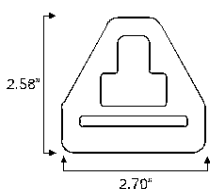


STRAP & BUCKLE

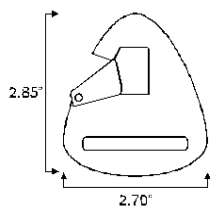
USED ON OPPOSING SIDE/S OR WITH OTHER ASSEMBLY TYPES TO TENSION HURRICANE BARRIER.

WEBBING CONNECTIONS

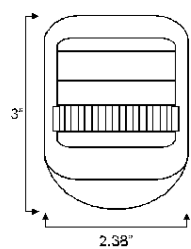
KEYHOLE
PART No. SW-302



LOCKING HOOK
PART No. SW-303

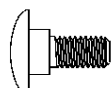


BUCKLE
PART No. SW-304

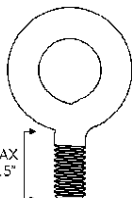


SUBSTRATE CONNECTIONS

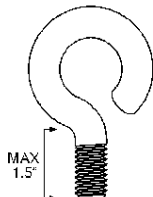
3/8" or 1/2" CARRIAGE BOLT



3/8" OR 1/2" CLOSED EYE-BOLT



1/2" OPEN EYE-BOLT



TYPE E NOTES:

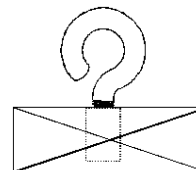
1. LOOP, SNAP LOCK, AND STRAP & BUCKLE MAY BE INSIDE OR OUTSIDE MOUNT.

2. KEYHOLE CLIP IS OUTSIDE MOUNT ONLY.

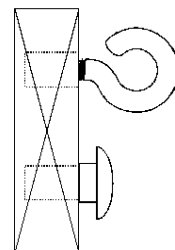
3. ONLY 3/8" AND 1/2" CLOSED AND 1/2" OPEN EYEBOLTS CAN BE USED WITH ANY ALLOWABLE SPAN AND ANCHOR COMBINATION.

4. CARRIAGE AND/OR EYE-BOLTS SHALL BE MOUNTED AS CLOSE TO SUBSTRATE SURFACE AS POSSIBLE. WHERE ANCHOR EMBEDMENT REQUIRES LONGER SHANK THAN SHOWN, SHANK SHALL BE STRUCTURALLY SUPPORTED TO SUBSTRATE SURFACE.

INSIDE MOUNT

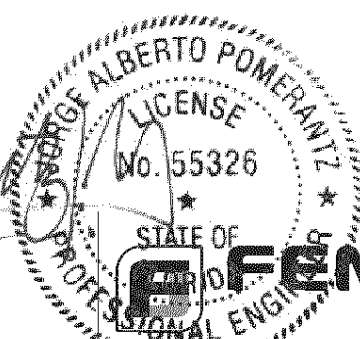


OUTSIDE MOUNT



JORGE A. POMERANTZ, P.E.
FLORIDA LICENSE# 55326
ING CONSULTANTS, INC.
8865 W SUNRISE BLVD
PLANTATION FL 33322
CERT. AUTH. #27242
T: 954.394.8521 F: 954.583.5197
ingconsultants@yahoo.com

June 14, 2017



www.fenetex.com

FENETEX, INC.
278 Talleyrand Ave
Jacksonville, FL 32202
Tel: (800) FENETEX

DRAWINGS BY FENETEX, INC.
COPYRIGHT 2017 FENETEX, INC.

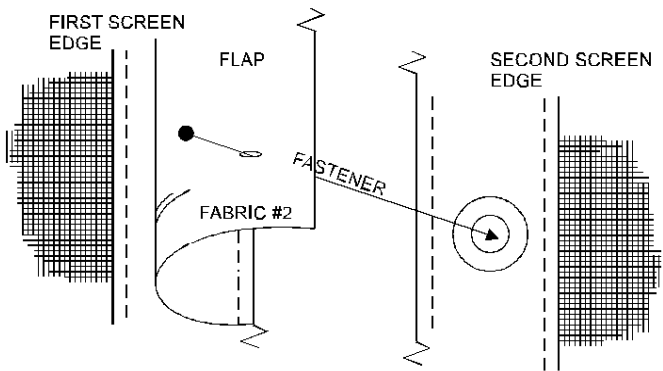
DRAWING NO: 8-17
NOT TO SCALE

3 of 12

SCREEN TO SCREEN CONNECTIONS

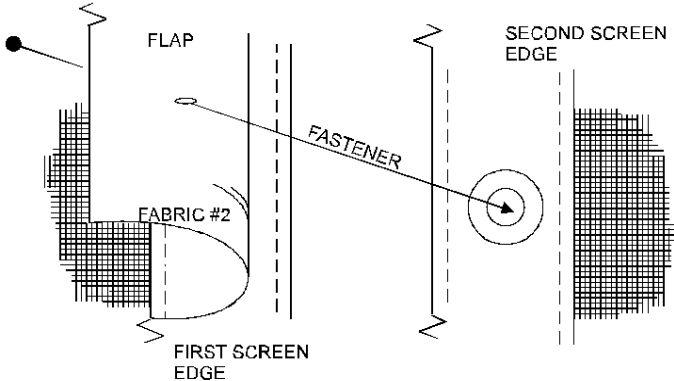
HIDDEN FLAP CONNECTION:

4" FLAP ATTACHED TO FIRST SCREEN EDGE WITH ONE ROW OF STITCHING AT 5 STITCHES PER INCH. FLAP CONNECTS TO COMPLIMENTARY #2 GROMMET ON SECOND SCREEN EDGE.



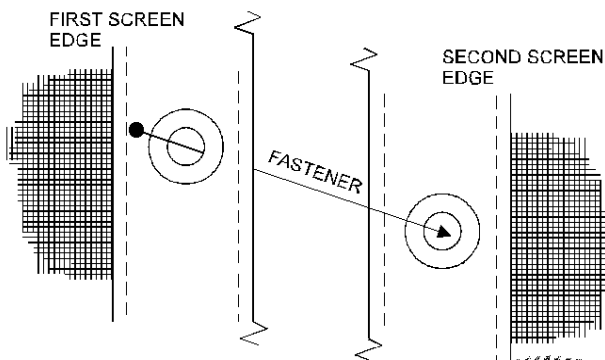
FLAP CONNECTION:

4" FLAP ATTACHED TO FIRST SCREEN EDGE WITH ONE ROW OF STITCHING AT 5 STITCHES PER INCH. FLAP CONNECTS TO COMPLIMENTARY #2 GROMMET ON SECOND SCREEN EDGE.



GROMMET CONNECTION:

COMPLIMENTARY #2 GROMMETS ON FIRST AND SECOND SCREEN EDGES.

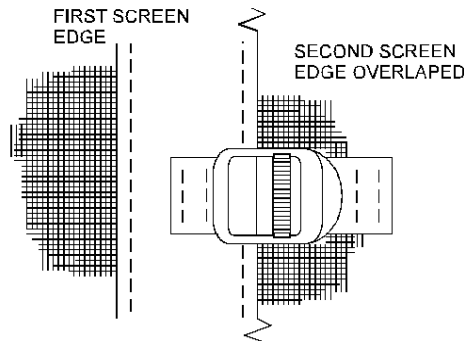


CONNECTING TWO SCREENS:

1. MULTIPLE SCREENS MAY BE CONNECTED TO ANY LENGTH.
2. CONNECTION SPACING IS 12" O.C. UNLESS OTHERWISE INDICATED
3. FASTENERS ARE 1/4"-20 SIDEWALK BOLT W/ WASHERED WING NUT.

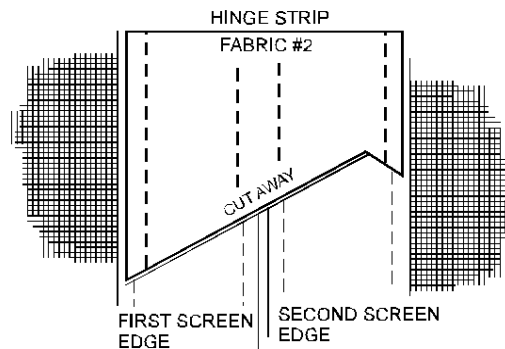
BUCKLE CONNECTION:

BUCKLE ASSEMBLY SEWN TO FIRST AND SECOND SCREEN EDGES WITH TWO ROWS OF STITCHING AT 5 STITCHES PER INCH. SCREENS OVERLAP ONE ANCHOR. BUCKLE SPACING IS 24"



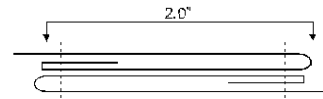
HINGE STRIP CONNECTION:

PANELS ATTACHED TO FIRST AND SECOND SCREEN EDGES WITH 4" INTERMEDIARY FABRIC STRIP WITH TWO ROWS OF STITCHING AT 5 STITCHES PER INCH.



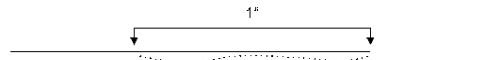
SEWN SEAM:

2" SEAM WITH TWO ROWS OF STITCHING AT 5 STITCHES PER INCH. USED WHEN SEWING TWO PANEL SECTIONS TOGETHER, ANY FABRIC.



WELDED SEAM:

1" THERMAL OR CHEMICAL WELD WHEN JOINING TWO SECTIONS OF FABRICS #2 OR #3.



JORGE A. POMERANTZ,
FLORIDA LICENSE# 55326
ING CONSULTANTS, INC.
8865 W SUNRISE BLVD
PLANTATION FL 33322
CERT. AUTH. #27242
T: 954.394.8521 F: 954.583.5197
ingconsultants@yahoo.com



FENETEX™
www.fenetex.com
Installation Instructions

FENETEX, INC.
278 Talleyrand Ave
Jacksonville, FL 32202
Tel: (800) FENETEX

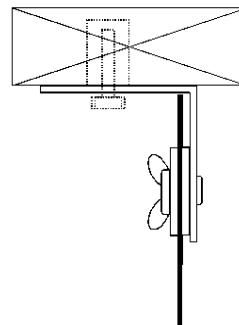
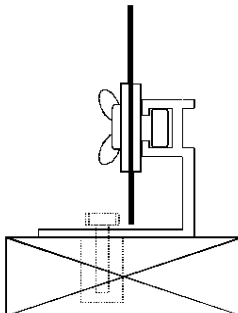
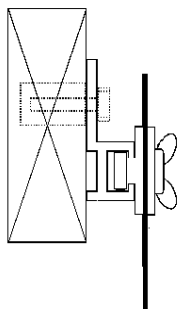
DRAWINGS BY FENETEX, INC.
COPYRIGHT 2017 FENETEX, INC.
DRAWING NO: 8-17
NOT TO SCALE

4 of 12

June 14, 2017

TRACK TYPES

F-TRACK, ANGLE F-TRACK, STUD TRACK, C-TRACK FOR USE WITH ANCHOR CONNECTION TYPES A, B, C, OR D MAX SPAN 102" DESIGN PRESSURE +/-66.1 PSF



F-TRACK NOTES:

1. INTERMEDIARY SCREEN TO F-TRACK CONNECTIONS ALWAYS USE MAX 8" O.C. SPACING.

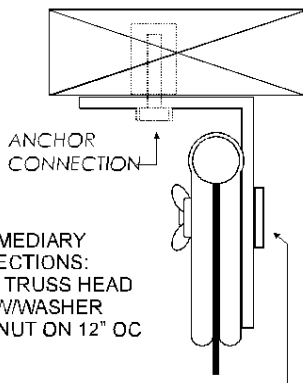
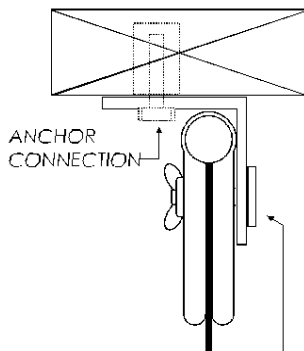
STUD ANGLE NOTES:

1. INTERMEDIARY SCREEN TO F-TRACK CONNECTIONS PER ANCHOR SCHEDULE.

STRUCTURAL ANGLE TRACK FOR USE WITH CONNECTION TYPE A AND TYPE D MAX SPAN 170" DESIGN PRESSURE +/-76 PSF

1/8" ALUMINUM ANGLE FOR 12" ANCHOR SPACING

3/16" ALUMINUM ANGLE MAX 24" ANCHOR SPACING



ANCHOR CONNECTION

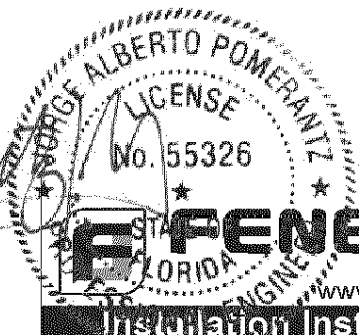
INTERMEDIARY CONNECTIONS:
1/4"-20 TRUSS HEAD BOLT W/WASHER
WING NUT ON 12" OC

TRACK NOTES:

1. TRACK TO HOST STRUCTURE ANCHOR CONNECTIONS PER ANCHOR SCHEDULE.
2. TRACK CAN BE FLOOR OR CEILING MOUNTED.
3. INTERMEDIARY CONNECTIONS IN F-TRACK MAY USE 1/4-20 F-TRACK BOLTS, HEX HEAD MACHINE SCREWS WITH WASHER WING NUT OR NUT WITH WASHER.
4. INTERMEDIARY CONNECTIONS IN ANGLE TRACK MAY USE 1/4-20 TRUSS HEAD MACHINE SCREWS WITH WASHER WING NUT OR NUT WITH WASHER FOR A MIN. HEAD DIA. TWICE THE DIA. OF OPENING.
5. MAX 2"x3" ALUMINUM ANGLE WITH A MIN. 1/8" CROSS SECTION AND OF A CONTINUOUS OR SEGMENTED SECTION WITH A MIN. LENGTH OF 3.5" MAY BE USED WITH MAX 12" O.C. ANCHORS INTO SUBSTRATE PER ANCHOR SCHEDULE. INTERMEDIARY PANEL TO ANGLE CONNECTIONS ARE SPACED ON 12" CENTERS.
6. CONTINUOUS SECTIONS OF 2"x3" ALUMINUM ANGLE WITH A MIN 3/16" CROSS SECTION MAY BE USED WITH MAX 24" O.C. ANCHORS INTO SUBSTRATE TO MAX. SPAN PER ANCHOR SCHEDULE. INTERMEDIARY PANEL TO ANGLE CONNECTIONS ARE SPACED ON 12" CENTERS.

JORGE A. POMERANTZ, P.E.
FLORIDA LICENSE# 55326
ING CONSULTANTS, INC.
8865 W SUNRISE BLVD
PLANTATION FL 33322
CERT. AUTH. #27242
T: 954.394.8521 F: 954.583.5197
ingconsultants@yahoo.com

Jorge A. Pomerantz
June 14, 2017



FENETEXTM
www.fenetex.com
Installation Instructions

FENETEX, INC.
278 Talleyrand Ave
Jacksonville, FL 32202
Tel: (800) FENETEX

DRAWINGS BY FENETEX, INC.
COPYRIGHT 2017 FENETEX, INC.

DRAWING NO:
8-17
NOT TO SCALE

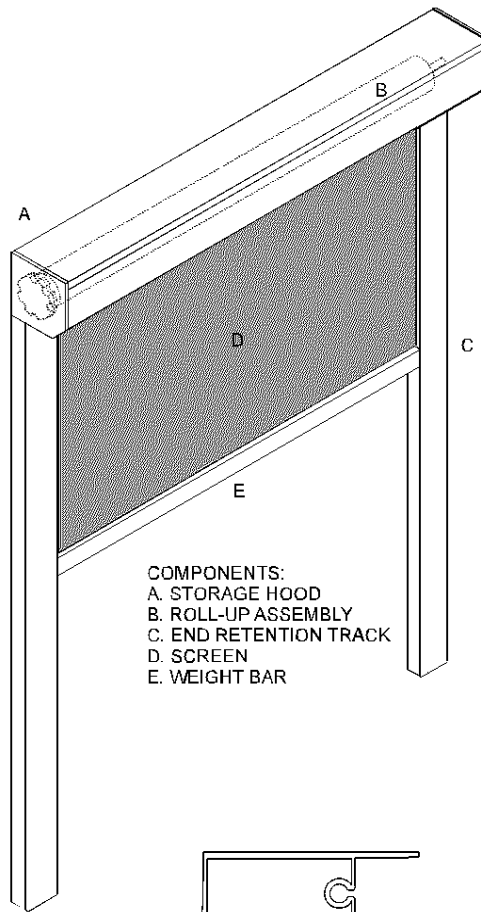
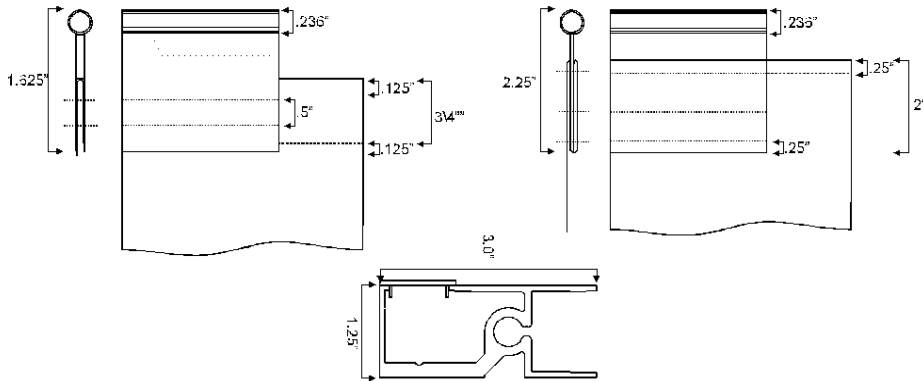
5 of
12

END RETENTION SCREENS

CONSTRUCTION OPTIONS FOR END RETENTION SCREEN SYSTEM

SINGLE FOLD EDGE 3/4" HEM WITH FABRIC TYPE #3 WITH 1" DOUBLE FLAP KEDER WELDED TO EDGE. TWO ROWS OF STITCHING AT 5 STITCHES PER INCH AS INDICATED. KEDER CORE IS PVC MIN. BEAD DIAMETER IS 6mm SHORE A 76-80 DURAMETER, KEDER FABRIC IS 1000D POLYESTER.

DOUBLE FOLD EDGE 2" HEM WITH FABRIC #1 OR #3 WITH STITCHING AT 5 STITCHES PER INCH AS INDICATED. HEM CORD SEWN TO HEM WITH THREE ROWS OF STITCHING. MIN. HEM CORD DIA. .236" CAN BE SOLID PVC OR BRAIDED CORD. HEM CORD SLIDES INTO TRACK GROOVE.

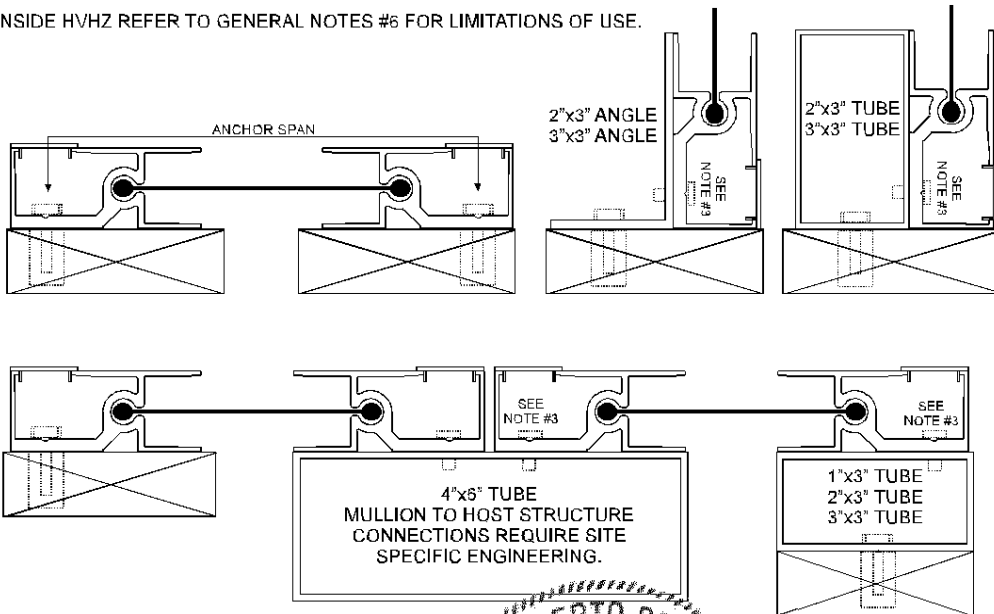
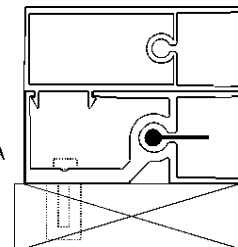


- COMPONENTS:
 A. STORAGE HOOD
 B. ROLL-UP ASSEMBLY
 C. END RETENTION TRACK
 D. SCREEN
 E. WEIGHT BAR

END RETENTION TRACK NOTES:

- MECHANICAL ROLL-UP ASSEMBLIES IF USED ARE NOT LOAD BEARING AND NOT INCLUDED IN ANCHOR CALCULATIONS.
- END RETENTION TRACKS ARE SECURED TO SUBSTRATE PER ANCHOR SCHEDULE. SPAN IS THE DISTANCE BETWEEN OPPOSING ANCHORS.
- BUILD-OUTS AND BLOCKING ARE COMPRISED OF ALUMINUM 6061 T5 OR 6063 T5.
- TRACK CONNECTIONS TO BUILD-OUTS AND BLOCKING ARE MADE WITH 1/4-14x1" ITW/BUILDDEX HWH TEKS SELECT.
- SECONDARY SCREEN TRACK MAY BE ATTACHED TO PRIMARY HURRICANE SCREEN TRACK. SCREEN TRACK ANCHORS ARE NOT INCLUDED IN ANCHOR CALCULATIONS (FIG. A).
- INSIDE HVHZ REFER TO GENERAL NOTES #6 FOR LIMITATIONS OF USE.

FIG. A



FASTENER SPACING FOR TRACK TO ANGLE AND TUBE CONNECTIONS

SPAN	1/8" WALL	1/4" WALL
60"	6" O.C.	6" O.C.
72"	6" O.C.	6" O.C.
84"	5" O.C.	6" O.C.
96"	4" O.C.	6" O.C.
108"	3" O.C.	6" O.C.
120"	NA	6" O.C.
132"	NA	6" O.C.
144"	NA	6" O.C.
156"	NA	6" O.C.
168"	NA	5" O.C.
180"	NA	5" O.C.
192"	NA	5" O.C.

DESIGN LOAD +/-76PSF MAX SPAN 192"

JORGE A. POMERANTZ, P.E.
 FLORIDA LICENSE# 55326
 ING CONSULTANTS, INC.
 8865 W SUNRISE BLVD
 PLANTATION FL 33322
 CERT. AUTH. #27242
 T: 954.394.8521 F: 954.583.5197
 ingconsultants@yahoo.com

June 14, 2017

FENETEX
 www.fenetex.com
Installation Instructions

FENETEX, INC.
 278 Talleyrand Ave
 Jacksonville, FL 32202
 Tel: (800) FENETEX

DRAWINGS BY FENETEX, INC.
 COPYRIGHT 2017 FENETEX, INC.

DRAWING NO:
 3-17
 NOT TO SCALE

6 of 12

ANCHOR SCHEDULE CONNECTION TYPE A

+/- 76PSF DESIGN PRESSURE AT 170" SPAN OUTSIDE MOUNT

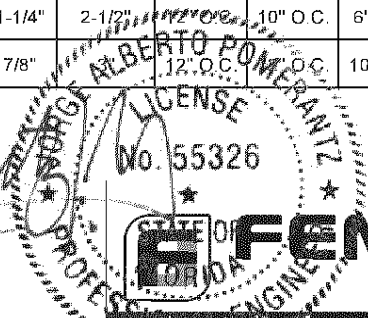
MAX SUPERIMPOSED LOADS/FT
TENSION 494LBS
SHEAR 780LBS

ANCHOR		MIN EMBED	MIN EDGE DIST	SPANS TO: 60"	SPANS TO: 72"	SPANS TO: 84"	SPANS TO: 96"	SPANS TO: 108"	SPANS TO: 120"	SPANS TO: 132"	SPANS TO: 144"	SPANS TO: 156"	SPANS TO: 170"
WOOD SG=0.55	1/4" ELCO PANELMATE MALE OR FEMALE	1-7/8"	3/4"	12" O.C.	10" O.C.	9" O.C.	8" O.C.	6" O.C.	6" O.C.				
	1/4" ELCO PANELMATE MALE OR FEMALE	1-1/2"	2"	12" O.C.	12" O.C.	12" O.C.	12" O.C.	10" O.C.	9" O.C.	8" O.C.	6" O.C.	6" O.C.	6" O.C.
	1/4" SAMMY SUPER SCREW SSW	1-1/2"	2"	12" O.C.	12" O.C.	12" O.C.	12" O.C.	10" O.C.	9" O.C.	8" O.C.	6" O.C.	6" O.C.	6" O.C.
	1/4" LAG BOLT	3"	1-3/4"	12" O.C.	12" O.C.	12" O.C.	12" O.C.	10" O.C.	9" O.C.	8" O.C.	6" O.C.	6" O.C.	6" O.C.
	3/8" LAG BOLT	3"	1-3/4"	12" O.C.	12" O.C.	12" O.C.	12" O.C.	12" O.C.	12" O.C.	12" O.C.	10" O.C.	10" O.C.	8" O.C.
	3/8" HANGER BOLT	3"	1-3/4"	12" O.C.	12" O.C.	12" O.C.	12" O.C.	12" O.C.	12" O.C.	12" O.C.	10" O.C.	10" O.C.	8" O.C.

CONCRETE 3323 psi	1/4" ELCO PANELMATE MALE	2"	2-1/2"	12" O.C.	12" O.C.	12" O.C.	12" O.C.	12" O.C.	12" O.C.	12" O.C.	10" O.C.	10" O.C.	9" O.C.
	1/4" ELCO PANELMATE FEMALE	1-3/4"	2-1/2"	12" O.C.	12" O.C.	12" O.C.	12" O.C.	10" O.C.	9" O.C.	8" O.C.	6" O.C.	6" O.C.	6" O.C.
	1/4" ELCO PANELMATE INSERT	1-5/8"	4"	12" O.C.	12" O.C.	12" O.C.	12" O.C.	12" O.C.	12" O.C.	10" O.C.	10" O.C.	9" O.C.	9" O.C.
	1/4" SAMMY SUPER SCREW SSC	2-1/4"	1-1/4"	12" O.C.	12" O.C.	10" O.C.	9" O.C.	8" O.C.	6" O.C.	6" O.C.	6" O.C.		
	1/4" SAMMY SUPER SCREW SSC	2-1/4"	2-1/2"	12" O.C.	12" O.C.	12" O.C.	12" O.C.	12" O.C.	10" O.C.	10" O.C.	9" O.C.	8" O.C.	6" O.C.
	1/4" POWERS DROP-IN	1"	3"	12" O.C.	12" O.C.	12" O.C.	12" O.C.	12" O.C.	12" O.C.	10" O.C.	9" O.C.	9" O.C.	8" O.C.
	1/4-20 POWERS CALK-IN	7/8"	2"	12" O.C.	10" O.C.	9" O.C.	8" O.C.	6" O.C.	6" O.C.				
	1/4-20 POWERS CALK-IN	7/8"	3"	12" O.C.	12" O.C.	10" O.C.	10" O.C.	9" O.C.	8" O.C.	6" O.C.	6" O.C.		
	1/4" TAPCON SG	1-3/4"	2-1/2"	12" O.C.	12" O.C.	12" O.C.	12" O.C.	12" O.C.	12" O.C.	12" O.C.	12" O.C.	12" O.C.	10" O.C.
	1/4" TAPCON	1-3/4"	2-1/2"	12" O.C.	12" O.C.	12" O.C.	10" O.C.	10" O.C.	8" O.C.	6" O.C.	6" O.C.	6" O.C.	6" O.C.
	1/4" POWERS TAPPER	1-3/4"	3"	12" O.C.	12" O.C.	12" O.C.	10" O.C.	9" O.C.	8" O.C.	6" O.C.	6" O.C.	6" O.C.	
	1/4" POWERS POWER BOLT	2-1/2"	3"	12" O.C.	12" O.C.	12" O.C.	12" O.C.	12" O.C.	12" O.C.	12" O.C.	12" O.C.	12" O.C.	10" O.C.
	1/4" POWERS POWER STUD	1-1/2"	3"	12" O.C.	12" O.C.	12" O.C.	12" O.C.	10" O.C.	9" O.C.	8" O.C.	6" O.C.	6" O.C.	6" O.C.
	1/4" POWERS WEDGE-BOLT	2"	2"	12" O.C.	12" O.C.	12" O.C.	12" O.C.	12" O.C.	12" O.C.	12" O.C.	10" O.C.	10" O.C.	9" O.C.
	5/16" TAPCON	2-1/4"	2-3/16"	12" O.C.	12" O.C.	12" O.C.	12" O.C.	12" O.C.	12" O.C.	12" O.C.	12" O.C.	12" O.C.	12" O.C.
	3/8-16 POWERS CALK-IN	1-1/4"	4"	12" O.C.	12" O.C.	12" O.C.	12" O.C.	12" O.C.	12" O.C.	12" O.C.	12" O.C.	12" O.C.	12" O.C.
	3/8 POWERS DROP-IN	1-9/16"	2-5/8"	12" O.C.	12" O.C.	12" O.C.	12" O.C.	12" O.C.	12" O.C.	12" O.C.	12" O.C.	12" O.C.	12" O.C.
	3/8" POWERS POWER BOLT	2-1/2"	4"	12" O.C.	12" O.C.	12" O.C.	12" O.C.	12" O.C.	12" O.C.	12" O.C.	12" O.C.	12" O.C.	12" O.C.
	3/8" POWERS POWER STUD	3"	4"	12" O.C.	12" O.C.	12" O.C.	12" O.C.	12" O.C.	12" O.C.	12" O.C.	12" O.C.	12" O.C.	12" O.C.
	3/8" POWERS WEDGE BOLT	2-1/2"	3"	12" O.C.	12" O.C.	12" O.C.	12" O.C.	12" O.C.	12" O.C.	12" O.C.	12" O.C.	12" O.C.	12" O.C.

HOLLOW BLOCK 1500 psi	1/4" ELCO PANELMATE MALE	1-1/4"	3"	12" O.C.	12" O.C.	10" O.C.	9" O.C.	8" O.C.	6" O.C.	6" O.C.			
	1/4" ELCO PANELMATE FEMALE	1-1/4"	3"	12" O.C.	9" O.C.	8" O.C.	6" O.C.	6" O.C.					
	1/4" ELCO PANELMATE INSERT	1-1/4"	1-3/4"	12" O.C.	10" O.C.	9" O.C.	6" O.C.	6" O.C.	6" O.C.				
	1/4" ELCO PANELMATE INSERT	1-1/4"	3-1/2"	12" O.C.	12" O.C.	12" O.C.	12" O.C.	10" O.C.	10" O.C.	9" O.C.	8" O.C.	6" O.C.	
	1/4" TAPCON SG	1-1/4"	2-1/2"	12" O.C.	10" O.C.	9" O.C.	8" O.C.	6" O.C.	6" O.C.				
	1/4" TAPCON	1-1/4"	2-1/2"	12" O.C.	10" O.C.	6" O.C.	6" O.C.	6" O.C.	6" O.C.				
	1/4-20 POWERS CALK-IN	7/8"		12" O.C.	10" O.C.	9" O.C.	8" O.C.	6" O.C.	6" O.C.	6" O.C.			

JORGE A. POMERANZ
FLORIDA LICENSE# 55326
ING CONSULTANTS, INC.
8865 W SUNRISE BLVD
PLANTATION FL 33322
CERT. AUTH. #27242
T: 954.394.8521 F: 954.583.5197
ingconsultants@yahoo.com



FENETEX™

www.fenetex.com

FENETEX, INC.
278 Talleyrand Ave
Jacksonville, FL 32202
Tel: (800) FENETEX

DRAWINGS BY FENETEX, INC.
COPYRIGHT 2017 FENETEX, INC.

DRAWING NO:
8-17
NOT TO SCALE

7

of 12

June 14, 2017

Installation Instructions

ANCHOR SCHEDULE CONNECTION TYPE A

+/- 76PSF DESIGN PRESSURE AT 170" SPAN INSIDE MOUNT

MAX SUPERIMPOSED LOADS/FT
TENSION 780LBS
SHEAR 494LBS

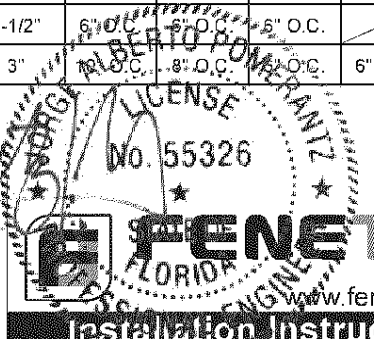
ANCHOR		MIN EMBED	MIN EDGE DIST	SPANS TO: 60"	SPANS TO: 72"	SPANS TO: 84"	SPANS TO: 96"	SPANS TO: 108"	SPANS TO: 120"	SPANS TO: 132"	SPANS TO: 144"	SPANS TO: 156"	SPANS TO: 170"
WOOD SG=0.55	1/4"ELCO PANELMATE MALE OR FEMALE	1-7/8"	3/4"	12" O.C.	12" O.C.	12" O.C.	12" O.C.	12" O.C.	10" O.C.	9" O.C.	9" O.C.	8" O.C.	6" O.C.
	1/4"ELCO PANELMATE MALE OR FEMALE	1-1/2"	2"	12" O.C.	12" O.C.	12" O.C.	12" O.C.	12" O.C.	12" O.C.	12" O.C.	12" O.C.	10" O.C.	10" O.C.
	1/4" SAMMY SUPER SCREW SSW	1-1/2"	2"	12" O.C.	12" O.C.	12" O.C.	12" O.C.	12" O.C.	12" O.C.	12" O.C.	12" O.C.	10" O.C.	10" O.C.
	1/4" LAG BOLT	3"	2"	12" O.C.	12" O.C.	12" O.C.	12" O.C.	12" O.C.	12" O.C.	12" O.C.	12" O.C.	10" O.C.	10" O.C.
	3/8" LAG BOLT	3"	3"	12" O.C.	12" O.C.	12" O.C.	12" O.C.	12" O.C.	12" O.C.	12" O.C.	12" O.C.	12" O.C.	12" O.C.
	3/8" HANGER BOLT	3"	3"	12" O.C.	12" O.C.	12" O.C.	12" O.C.	12" O.C.	12" O.C.	12" O.C.	12" O.C.	12" O.C.	12" O.C.
	3/8" LAG OR HANGER BOLT W/2"X3"X3/16"	3"	3"	24" O.C.	24" O.C.	24" O.C.	24" O.C.	24" O.C.	24" O.C.				

CONCRETE 3323psi	1/4"ELCO PANELMATE MALE	2"	2-1/2"	12" O.C.	12" O.C.	12" O.C.	12" O.C.	12" O.C.	12" O.C.	12" O.C.	10" O.C.	9" O.C.	9" O.C.
	1/4"ELCO PANELMATE FEMALE	1-3/4"	2-1/2"	12" O.C.	12" O.C.	12" O.C.	12" O.C.	12" O.C.	12" O.C.	12" O.C.	10" O.C.	9" O.C.	9" O.C.
	1/4" ELCO PANELMATE INSERT	1-5/8"	4"	12" O.C.	12" O.C.	12" O.C.	12" O.C.	12" O.C.	12" O.C.	12" O.C.	10" O.C.	10" O.C.	9" O.C.
	1/4" SAMMY SUPER SCREW SSC	2-1/4"	1-1/4"	12" O.C.	12" O.C.	12" O.C.	12" O.C.	12" O.C.	12" O.C.	10" O.C.	10" O.C.	9" O.C.	8" O.C.
	1/4" SAMMY SUPER SCREW SSC	2-1/4"	2-1/2"	12" O.C.	12" O.C.	12" O.C.	12" O.C.	12" O.C.	12" O.C.	12" O.C.	12" O.C.	12" O.C.	12" O.C.
	1/4" POWERS DROP-IN	1"	3"	12" O.C.	12" O.C.	12" O.C.	10" O.C.	9" O.C.	8" O.C.	6" O.C.	5" O.C.	5" O.C.	
	1/4-20 POWERS CALK-IN	7/8"	2"	12" O.C.	12" O.C.	12" O.C.	12" O.C.	10" O.C.	9" O.C.	8" O.C.	6" O.C.	6" O.C.	6" O.C.
	1/4-20 POWERS CALK-IN	7/8"	3"	12" O.C.	12" O.C.	12" O.C.	12" O.C.	12" O.C.	12" O.C.	10" O.C.	10" O.C.	9" O.C.	8" O.C.
	1/4" TAPCON SG	1-3/4"	2-1/2"	12" O.C.	12" O.C.	12" O.C.	12" O.C.	12" O.C.	12" O.C.	12" O.C.	12" O.C.	12" O.C.	10" O.C.
	1/4" TAPCON	1-3/4"	2-1/2"	12" O.C.	12" O.C.	12" O.C.	12" O.C.	12" O.C.	12" O.C.	12" O.C.	10" O.C.	10" O.C.	9" O.C.
	1/4" POWERS TAPPER	1-3/4"	3"	12" O.C.	12" O.C.	12" O.C.	12" O.C.	10" O.C.	9" O.C.	9" O.C.	8" O.C.	6" O.C.	6" O.C.
	1/4" POWERS POWER BOLT	2-1/2"	3"	12" O.C.	12" O.C.	12" O.C.	12" O.C.	12" O.C.	12" O.C.	10" O.C.	9" O.C.	8" O.C.	8" O.C.
	1/4" POWERS POWER STUD	1-1/2"	3"	12" O.C.	12" O.C.	12" O.C.	12" O.C.	12" O.C.	10" O.C.	10" O.C.	9" O.C.	8" O.C.	6" O.C.
	1/4" POWERS WEDGE-BOLT	2"	2"	12" O.C.	12" O.C.	12" O.C.	12" O.C.	12" O.C.	12" O.C.	12" O.C.	12" O.C.	12" O.C.	12" O.C.
	5/16" TAPCON	2-1/4"	2-3/16"	12" O.C.	12" O.C.	12" O.C.	12" O.C.	12" O.C.	12" O.C.	12" O.C.	12" O.C.	12" O.C.	12" O.C.
	3/8-16 POWERS CALK-IN	1-1/4"	4"	12" O.C.	12" O.C.	12" O.C.	12" O.C.	12" O.C.	12" O.C.	12" O.C.	12" O.C.	12" O.C.	12" O.C.
	3/8 POWERS DROP-IN	1-9/16"	2-5/8"	12" O.C.	12" O.C.	12" O.C.	12" O.C.	12" O.C.	12" O.C.	12" O.C.	12" O.C.	12" O.C.	12" O.C.
3/8" POWERS POWER BOLT	2-1/2"	4"	12" O.C.	12" O.C.	12" O.C.	12" O.C.	12" O.C.	12" O.C.	12" O.C.	12" O.C.	12" O.C.	12" O.C.	
3/8" POWERS POWER STUD	3"	4"	12" O.C.	12" O.C.	12" O.C.	12" O.C.	12" O.C.	12" O.C.	12" O.C.	12" O.C.	12" O.C.	12" O.C.	
3/8" POWERS WEDGE BOLT	2-1/2"	3"	12" O.C.	12" O.C.	12" O.C.	12" O.C.	12" O.C.	12" O.C.	12" O.C.	12" O.C.	12" O.C.	12" O.C.	

HOLLOW BLOCK 1500 psi	1/4"ELCO PANELMATE MALE	1-1/4"	3"	12" O.C.	10" O.C.	9" O.C.	6" O.C.	6" O.C.	6" O.C.				
	1/4"ELCO PANELMATE FEMALE	1-1/4"	3"	12" O.C.	10" O.C.	9" O.C.	6" O.C.	6" O.C.	6" O.C.				
	1/4" ELCO PANELMATE INSERT	1-1/4"	1-3/4"	12" O.C.	12" O.C.	12" O.C.	10" O.C.	9" O.C.	8" O.C.	6" O.C.	6" O.C.	6" O.C.	
	1/4" ELCO PANELMATE INSERT	1-1/4"	3-1/2"	12" O.C.	12" O.C.	12" O.C.	12" O.C.	10" O.C.	9" O.C.	8" O.C.	6" O.C.	6" O.C.	
	1/4" TAPCON SG	1-1/4"	2-1/2"	12" O.C.	12" O.C.	12" O.C.	12" O.C.	10" O.C.	10" O.C.	9" O.C.	8" O.C.	6" O.C.	
	1/4" TAPCON	1-1/4"	2-1/2"	6" O.C.	6" O.C.	6" O.C.							
	1/4-20 POWERS CALK-IN	7/8"	3"	6" O.C.	8" O.C.	6" O.C.							

JORGE A. POMERANTZ, P.E.
FLORIDA LICENSE# 55326
ING CONSULTANTS, INC.
8865 W SUNRISE BLVD
PLANTATION FL 33322
CERT. AUTH. #27242
T: 954.394.8521 F: 954.583.5197
ingconsultants@yahoo.com

June 14, 2017



FENETEX, INC.
278 Talleyrand Ave
Jacksonville, FL 32202
Tel: (800) FENETEX

DRAWINGS BY FENETEX, INC.
COPYRIGHT 2017 FENETEX, INC.
DRAWING NO: 8-17
NOT TO SCALE **8** of 12

ANCHOR SCHEDULE CONNECTION TYPE B

MAX SUPERIMPOSED LOADS/FT
TENSION 246LBS
SHEAR 445LBS

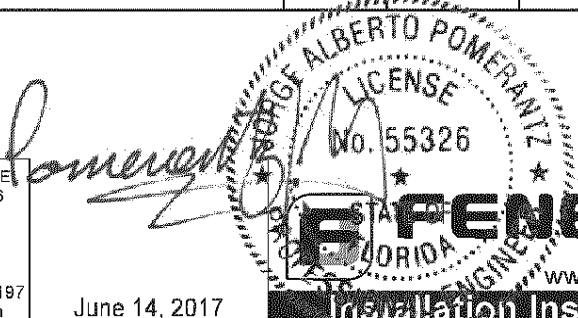
+/- 66.1PSF DESIGN PRESSURE AT 102" SPAN

ANCHOR		MIN EMBED	MIN EDGE DIST	SPANS TO: 60"	SPANS TO: 72"	SPANS TO: 84"	SPANS TO: 96"	SPANS TO: 102"
WOOD SG=0.55	1/4"ELCO PANELMATE MALE OR FEMALE	1-7/8"	3/4"	12" O.C.	12" O.C.	12" O.C.	12" O.C.	12" O.C.
	1/4"ELCO PANELMATE MALE, FEMALE, OR INSERT	1-1/2"	2"	12" O.C.	12" O.C.	12" O.C.	12" O.C.	12" O.C.
	1/4" SAMMY SUPER SCREW SSW	1-1/2"	2"	12" O.C.	12" O.C.	12" O.C.	12" O.C.	12" O.C.
	1/4" LAG BOLT	3"	2"	12" O.C.	12" O.C.	12" O.C.	12" O.C.	12" O.C.
	3/8" LAG OR HANGER BOLT W/2"X3'X3/16" ALUM. ANGLE	3"	3"	24" O.C.	24" O.C.	24" O.C.	24" O.C.	24" O.C.

CONCRETE 3323psi	1/4"ELCO PANELMATE MALE	2"	2-1/2"	12" O.C.	12" O.C.	12" O.C.	12" O.C.	12" O.C.
	1/4"ELCO PANELMATE FEMALE	1-3/4"	2-1/2"	12" O.C.	12" O.C.	12" O.C.	12" O.C.	12" O.C.
	1/4" ELCO PANELMATE INSERT	1-5/8"	4"	12" O.C.	12" O.C.	12" O.C.	12" O.C.	12" O.C.
	1/4" SAMMY SUPER SCREW SSC	2-1/4"	1-1/4"	12" O.C.	12" O.C.	12" O.C.	12" O.C.	12" O.C.
	1/4" SAMMY SUPER SCREW SSC	2-1/4"	2-1/2"	12" O.C.	12" O.C.	12" O.C.	12" O.C.	12" O.C.
	1/4" POWERS DROP-IN	1"	3"	12" O.C.	12" O.C.	12" O.C.	12" O.C.	12" O.C.
	1/4-20 POWERS CALK-IN	7/8"	2"	12" O.C.	12" O.C.	12" O.C.	12" O.C.	12" O.C.
	1/4-20 POWERS CALK-IN	7/8"	3"	12" O.C.	12" O.C.	12" O.C.	12" O.C.	12" O.C.
	1/4" TAPCON SG	1-3/4"	2-1/2"	12" O.C.	12" O.C.	12" O.C.	12" O.C.	12" O.C.
	1/4" TAPCON	1-3/4"	2-1/2"	12" O.C.	12" O.C.	12" O.C.	12" O.C.	12" O.C.
	1/4" POWERS TAPPER	1-3/4"	3"	12" O.C.	12" O.C.	12" O.C.	12" O.C.	12" O.C.
	1/4" POWERS POWER BOLT	2-1/2"	3"	12" O.C.	12" O.C.	12" O.C.	12" O.C.	12" O.C.
	1/4" POWERS POWER STUD	1-1/2"	3"	12" O.C.	12" O.C.	12" O.C.	12" O.C.	12" O.C.
1/4" POWERS WEDGE-BOLT	2"	2"	12" O.C.	12" O.C.	12" O.C.	12" O.C.	12" O.C.	

HOLLOW BLOCK 1500 psi	1/4"ELCO PANELMATE MALE	1-1/4"	3"	12" O.C.	12" O.C.	12" O.C.	12" O.C.	12" O.C.
	1/4"ELCO PANELMATE FEMALE	1-1/4"	3"	12" O.C.	12" O.C.	12" O.C.	12" O.C.	10" O.C.
	1/4" ELCO PANELMATE INSERT	1-1/4"	1-3/4"	12" O.C.	12" O.C.	12" O.C.	12" O.C.	12" O.C.
	1/4" ELCO PANELMATE INSERT	1-1/4"	3-1/2"	12" O.C.	12" O.C.	12" O.C.	12" O.C.	12" O.C.
	1/4" TAPCON SG	1-1/4"	2-1/2"	12" O.C.	12" O.C.	12" O.C.	12" O.C.	12" O.C.
	1/4" TAPCON	1-1/4"	2-1/2"	12" O.C.	12" O.C.	9" O.C.	9" O.C.	8" O.C.
	1/4-20 POWERS CALK-IN	7/8"	3"	12" O.C.	12" O.C.	12" O.C.	9" O.C.	9" O.C.

JORGE A. POMERANTZ, P.E.
FLORIDA LICENSE# 55326
ING CONSULTANTS, INC.
8865 W SUNRISE BLVD
PLANTATION FL 33322
CERT. AUTH. #27242
T: 954.394.8521 F: 954.583.5197
ingconsultants@yahoo.com



FENETEX, INC.
278 Talleyrand Ave
Jacksonville, FL 32202
Tel: (800) FENETEX

DRAWINGS BY FENETEX, INC.
COPYRIGHT 2017 FENETEX, INC.
DRAWING NO: 8-17
NOT TO SCALE **9** of 12

June 14, 2017

ANCHOR SCHEDULE CONNECTION TYPE C

MAX SUPERIMPOSED LOADS/FT
TENSION 246LBS
SHEAR 445LBS

+/- 66.1PSF DESIGN PRESSURE AT 102" SPAN

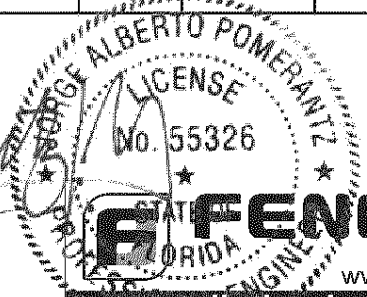
ANCHOR		MIN EMBED	MIN EDGE DIST	SPANS TO: 60"	SPANS TO: 72"	SPANS TO: 84"	SPANS TO: 96"	SPANS TO: 102"
WOOD SG=0.55	1/4"ELCO PANELMATE MALE OR FEMALE	1-7/8"	3/4"	10" O.C.	10" O.C.	8" O.C.	8" O.C.	8" O.C.
	1/4"ELCO PANELMATE MALE, FEMALE, INSERT	1-1/2"	2"	12" O.C.	12" O.C.	12" O.C.	9" O.C.	8" O.C.
	1/4" SAMMY SUPER SCREW SSW	1-1/2"	2"	12" O.C.	12" O.C.	12" O.C.	9" O.C.	8" O.C.
	1/4" LAG BOLT	3"	2"	12" O.C.	12" O.C.	12" O.C.	9" O.C.	8" O.C.
	3/8" LAG OR HANGER BOLT W/2"X3"X3/16" ALUM. ANGLE	3"	3"	24" O.C.	24" O.C.	24" O.C.	24" O.C.	24" O.C.

CONCRETE 3323psi	1/4"ELCO PANELMATE MALE	2"	2-1/2"	12" O.C.	12" O.C.	12" O.C.	9" O.C.	8" O.C.
	1/4"ELCO PANELMATE FEMALE	1-3/4"	2-1/2"	12" O.C.	12" O.C.	12" O.C.	9" O.C.	8" O.C.
	1/4" ELCO PANELMATE INSERT	1-5/8"	4"	12" O.C.	12" O.C.	12" O.C.	9" O.C.	8" O.C.
	1/4" SAMMY SUPER SCREW SSC	2-1/4"	1-1/4"	12" O.C.	12" O.C.	10" O.C.	9" O.C.	8" O.C.
	1/4" SAMMY SUPER SCREW SSC	2-1/4"	2-1/2"	12" O.C.	12" O.C.	12" O.C.	9" O.C.	8" O.C.
	1/4" POWERS DROP-IN	1"	3"	12" O.C.	12" O.C.	12" O.C.	9" O.C.	8" O.C.
	1/4-20 POWERS CALK-IN	7/8"	2"	10" O.C.	10" O.C.	9" O.C.	8" O.C.	8" O.C.
	1/4-20 POWERS CALK-IN	7/8"	3"	12" O.C.	12" O.C.	10" O.C.	9" O.C.	8" O.C.
	1/4" TAPCON SG	1-3/4"	2-1/2"	12" O.C.	12" O.C.	12" O.C.	9" O.C.	8" O.C.
	1/4" TAPCON	1-3/4"	2-1/2"	12" O.C.	12" O.C.	12" O.C.	9" O.C.	8" O.C.
	1/4" POWERS TAPPER	1-3/4"	3"	12" O.C.	12" O.C.	12" O.C.	9" O.C.	8" O.C.
	1/4" POWERS POWER BOLT	2-1/2"	3"	12" O.C.	12" O.C.	12" O.C.	9" O.C.	8" O.C.
	1/4" POWERS POWER STUD	1-1/2"	3"	12" O.C.	12" O.C.	12" O.C.	9" O.C.	8" O.C.
1/4" POWERS WEDGE-BOLT	2"	2"	12" O.C.	12" O.C.	12" O.C.	9" O.C.	8" O.C.	

HOLLOW BLOCK 1500 psi	1/4"ELCO PANELMATE MALE	1-1/4"	3"	12" O.C.	12" O.C.	10" O.C.	8" O.C.	8" O.C.
	1/4"ELCO PANELMATE FEMALE	1-1/4"	3"	9" O.C.	9" O.C.	9" O.C.	8" O.C.	8" O.C.
	1/4" ELCO PANELMATE INSERT	1-1/4"	1-3/4"	10" O.C.	10" O.C.	9" O.C.	8" O.C.	8" O.C.
	1/4" ELCO PANELMATE INSERT	1-1/4"	3-1/2"	12" O.C.	12" O.C.	12" O.C.	9" O.C.	8" O.C.
	1/4" TAPCON SG	1-1/4"	2-1/2"	9" O.C.	9" O.C.	9" O.C.	8" O.C.	8" O.C.
	1/4" TAPCON	1-1/4"	2-1/2"	9" O.C.	9" O.C.	9" O.C.	8" O.C.	8" O.C.
	1/4-20 POWERS CALK-IN	7/8"	3"	12" O.C.	12" O.C.	10" O.C.	8" O.C.	8" O.C.

JORGE A. POMERANTZ, P.E.
FLORIDA LICENSE# 55326
ING CONSULTANTS, INC.
8865 W SUNRISE BLVD
PLANTATION FL 33322
CERT. AUTH. #27242
T: 954.394.8521 F: 954.583.5197
ingconsultants@yahoo.com

Jorge A. Pomerantz



FENETEX, INC.
278 Talleyrand Ave
Jacksonville, FL 32202
Tel: (800) FENETEX

DRAWINGS BY FENETEX, INC.
COPYRIGHT 2017 FENETEX, INC.
DRAWING NO: 5-17
NOT TO SCALE

June 14, 2017

Installation Instructions

10 of 12

ANCHOR SCHEDULE TYPE D CONNECTIONS

MAX SUPERIMPOSED LOADS/FT
TENSION 380LBS
SHEAR 385LBS

+/- 76PSF DESIGN PRESSURE AT 120" SPAN

ANCHOR		MIN EMBED	MIN EDGE DIST	SPANS TO: 60"	SPANS TO: 72"	SPANS TO: 84"	SPANSTO: 96"	SPANS TO: 108"	SPANS TO: 120"
WOOD SG=0.55	1/4"ELCO PANELMATE MALE OR FEMALE	1-7/8"	3/4"	12" O.C.	12" O.C.	12" O.C.	12" O.C.	12" O.C.	12" O.C.
	1/4"ELCO PANELMATE MALE OR FEMALE	1-1/2"	2"	12" O.C.	12" O.C.	12" O.C.	12" O.C.	12" O.C.	12" O.C.
	1/4" SAMMY SUPER SCREW SSW	1-1/2"	2"	12" O.C.	12" O.C.	12" O.C.	12" O.C.	12" O.C.	12" O.C.
	1/4" LAG BOLT	3"	1-3/4"	12" O.C.	12" O.C.	12" O.C.	12" O.C.	12" O.C.	12" O.C.

CONCRETE 3323 psi	1/4"ELCO PANELMATE MALE	2"	2-1/2"	12" O.C.	12" O.C.	12" O.C.	12" O.C.	12" O.C.	12" O.C.
	1/4"ELCO PANELMATE FEMALE	1-3/4"	2-1/2"	12" O.C.	12" O.C.	12" O.C.	12" O.C.	12" O.C.	12" O.C.
	1/4" ELCO PANELMATE INSERT	1-5/8"	4"	12" O.C.	12" O.C.	12" O.C.	12" O.C.	12" O.C.	12" O.C.
	1/4" SAMMY SUPER SCREW SSC	2-1/4"	2-1/2"	12" O.C.	12" O.C.	12" O.C.	12" O.C.	12" O.C.	12" O.C.
	1/4" POWERS DROP-IN	1"	3"	12" O.C.	12" O.C.	12" O.C.	12" O.C.	12" O.C.	12" O.C.
	1/4-20 POWERS CALK-IN	7/8"	3"	12" O.C.	12" O.C.	12" O.C.	12" O.C.	12" O.C.	12" O.C.
	1/4" TAPCON SG	1-3/4"	2-1/2"	12" O.C.	12" O.C.	12" O.C.	12" O.C.	12" O.C.	12" O.C.
	1/4" TAPCON	1-3/4"	2-1/2"	12" O.C.	12" O.C.	12" O.C.	12" O.C.	12" O.C.	12" O.C.

HOLLOW BLOCK 1500 psi	1/4"ELCO PANELMATE MALE OR FEMALE	1-1/4"	3"	7" O.C.	5" O.C.	5" O.C.	4" O.C.	/	/
	1/4" ELCO PANELMATE INSERT	1-1/4"	3-1/2"	12" O.C.	10" O.C.	8" O.C.	7" O.C.	7" O.C.	6" O.C.
	1/4" TAPCON SG	1-1/4"	2-1/2"	9" O.C.	7" O.C.	6" O.C.	5" O.C.	5" O.C.	4" O.C.
	1/4" TAPCON	1-1/4"	2-1/2"	6" O.C.	5" O.C.	4" O.C.	3" O.C.	3" O.C.	3" O.C.
	1/4-20 POWERS CALK-IN	7/8"	3"	6" O.C.	5" O.C.	4" O.C.	4" O.C.	/	/

JORGE A. POMERANTZ, P.E.
FLORIDA LICENSE# 55326
ING CONSULTANTS, INC.
8865 W SUNRISE BLVD
PLANTATION FL 33322
CERT. AUTH. #27242
T: 954.394.8521 F: 954.583.5197
ingconsultants@yahoo.com

J. Pomerantz
June 14, 2017



FENETEX
www.fenetex.com
Installation Instructions

FENETEX, INC.
278 Talleyrand Ave
Jacksonville, FL 32202
Tel: (800) FENETEX

DRAWINGS BY FENETEX, INC.
COPYRIGHT 2017 FENETEX, INC.

DRAWING NO: 8-17
NOT TO SCALE

11 of 12

ANCHOR SCHEDULE TYPE E CONNECTIONS

+/- 76PSF DESIGN PRESSURE AT 192" SPAN

MAX SUPERIMPOSED LOADS/FT
TENSION 608 LBS
SHEAR 1024 LBS

ANCHOR		MIN EMBED	MIN EDGE DIST	SPANS TO: 156"	SPANS TO: 168"	SPANS TO: 180"	SPANS TO: 192"
CONCRETE 3000 psi	3/8" POWERS DROP-IN	1-9/16"	2-5/8"	18" O.C.	/	/	/
	1/2" POWERS DROP-IN	2"	3-1/2"	18" O.C.	18" O.C.	18" O.C.	18" O.C.
	1/2" THREADED ROD W/POWER-FAST EPOXY	3"	3"	18" O.C.	18" O.C.	18" O.C.	18" O.C.

ANCHOR SCHEDULE END RETENTION SCREEN SYSTEM

+/- 76PSF DESIGN PRESSURE AT 192" SPAN

MAX SUPERIMPOSED LOADS/FT
TENSION 608 LBS
SHEAR 1037 LBS

ANCHOR		MIN EMBED	MIN EDGE DIST	SPANS TO: 96"	SPANS TO: 108"	SPANS TO: 120"	SPANS TO: 132"	SPANS TO: 144"	SPANS TO: 156"	SPANS TO: 168"	SPANS TO: 180"	SPANS TO: 192"
WOOD SG=0.55	1/4 x 4" LAG BOLT	3"	1-3/4"	6" O.C.	6" O.C.	6" O.C.	/	/	/	/	/	/
	3/8 x 4" LAG BOLT	3"	1-3/4"	6" O.C.	6" O.C.	6" O.C.	/	/	/	/	/	/
CONCRETE 3,515psi	5/16" TAPCON XL	2-1/4"	2-1/4"	6" O.C.	6" O.C.	6" O.C.	6" O.C.	6" O.C.	6" O.C.	6" O.C.	6" O.C.	6" O.C.
	5/16" ELCO ULTRACON	2"	3-1/8"	6" O.C.	6" O.C.	6" O.C.	6" O.C.	6" O.C.	6" O.C.	6" O.C.	6" O.C.	6" O.C.
	3/8" POWERS POWER BOLT	2-1/2"	4"	6" O.C.	6" O.C.	6" O.C.	6" O.C.	6" O.C.	6" O.C.	6" O.C.	6" O.C.	6" O.C.
	3/8" POWERS POWER STUD	3"	4"	6" O.C.	6" O.C.	6" O.C.	6" O.C.	6" O.C.	6" O.C.	6" O.C.	6" O.C.	6" O.C.
GROUT FILLED BLOCK	5/16" TAPCON XL	2-1/4"	4"	6" O.C.	6" O.C.	6" O.C.	6" O.C.	6" O.C.	6" O.C.	6" O.C.	6" O.C.	5" O.C.
	3/8" POWERS POWER STUD	3"	4-1/2"	6" O.C.	6" O.C.	6" O.C.	6" O.C.	5" O.C.	5" O.C.	4" O.C.	/	/

JORGE A. POMERANTZ, P.E.
FLORIDA LICENSE# 55326
ING CONSULTANTS, INC.
8865 W SUNRISE BLVD
PLANTATION FL 33322
CERT. AUTH. #27242
T: 954.394.8521 F: 954.583.5197
ingconsultants@yahoo.com

June 14, 2017



Installation Instructions

FENETEX, INC.
278 Talleyrand Ave
Jacksonville, FL 32202
Tel: (800) FENETEX

DRAWINGS BY FENETEX, INC.
COPYRIGHT 2017 FENETEX, INC.

DRAWING NO:
8-17
NOT TO SCALE

12 of 12